

INSTALLATION INSTRUCTION

Reflex - LEDme® Track Luminaires

H-LED9, H-LED18, L-LED9, L-LED18, J-LED9, J-LED18

WAC LIGHTING

Responsible Lighting®

WARNING

IMPORTANT: NEVER attempt any work without shutting off the electricity.

- Read all instructions before installing.
- System is intended for installation by a qualified electrician in accordance with the National Electrical Code and local regulations.
- Place the wall switch in the "OFF" position.
- Go to the main fuse box, or circuit breaker. Place the main power switch in the "OFF" position and unscrew the fuse(s) or switch "OFF" the circuit breaker switch(es) that control the power to the fixture or room that you are working on.

AVERTISSEMENT

IMPORTANT : Coupez l'électricité avant TOUTE manipulation.

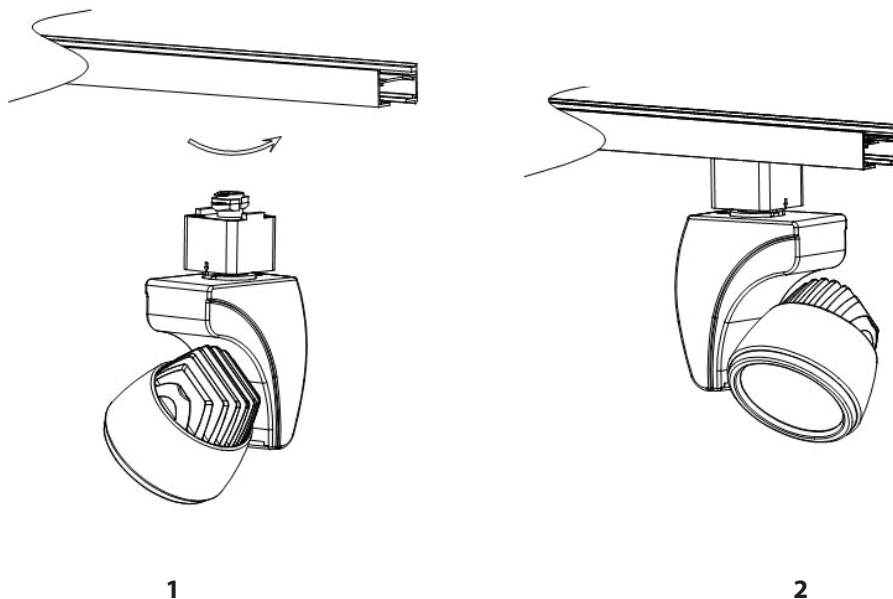
- Lisez toutes les instructions avant d'installer.
- Système est destiné à être installé par un électricien qualifié en conformité avec le code national de l'électricité et les règlements locaux.
- Placez l'interrupteur mural en position d'arrêt (« OFF »).
- Accédez au panneau central de disjoncteurs ou de fusibles de votre demeure et placez l'interrupteur principal en position d'arrêt (« OFF »).

OVERVIEW:

- Fixtures are designed for use on "H" series W.A.C. Lighting track only. They may also be used on other manufacturer's brand of track (consult factory for compatibility).

FIXTURE INSTALLATION:

- Note the track head contacts, and the polarity groove running the length of the track.
- The two contacts should be positioned so that when rotated, they will face the grooved side of the track (this is the side with two flat copper wires running its length).
- Insert adapter into track slot. Pull downward on the adapter while rotating the adapter 90°.
- Release the adapter so the locking tab seats in the track slot.
- Removal is the reverse procedure. Track heads may be positioned anywhere along the track length.



WAC Lighting
www.waclighting.com
Phone (800) 526.2588 • Fax (800) 526.2585

Headquarters/Eastern Distribution Center
44 Harbor Park Drive • Port Washington, NY 11050
Phone (516) 515.5000 • Fax (516) 515.5050

Western Distribution Center
1750 Archibald Ave • Ontario, CA 91761
Phone (800) 526.2588 • Fax (800) 526.2585