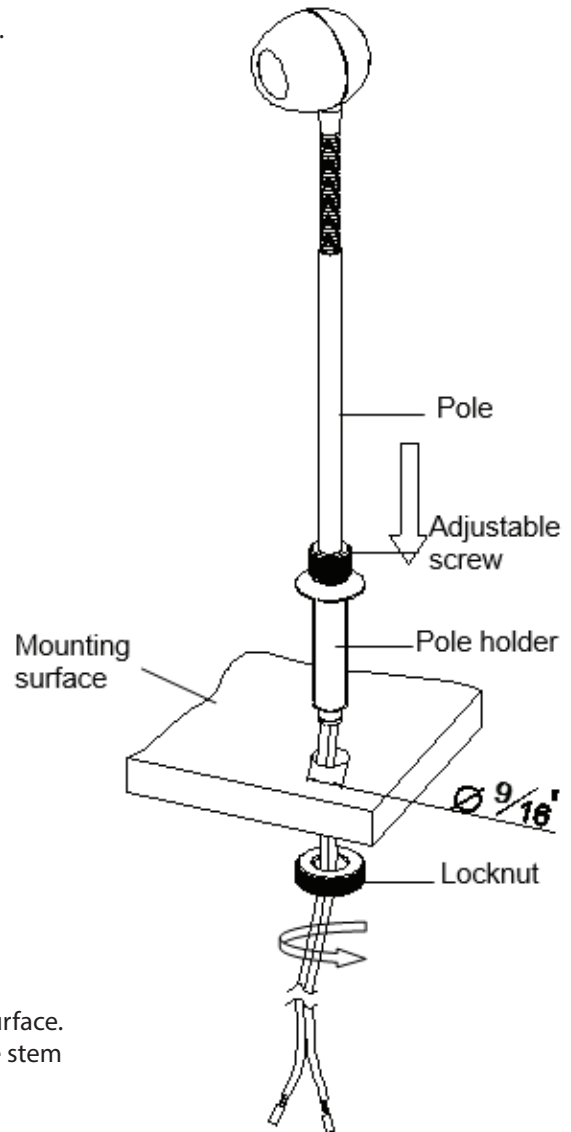
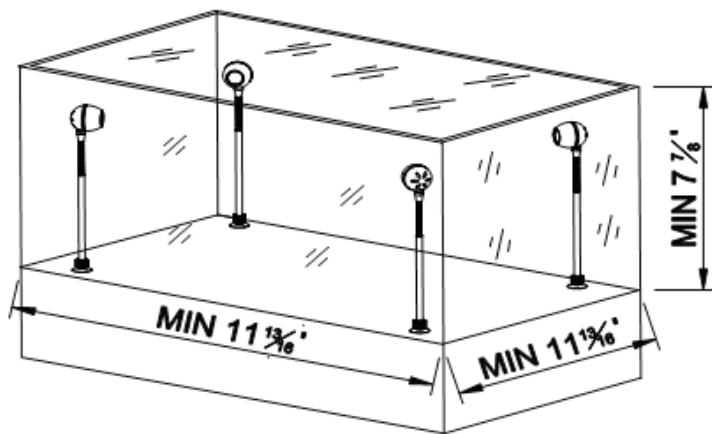


SAFETY INSTRUCTION

IMPORTANT: NEVER attempt any work without shutting off the electricity.

- To reduce the risk of electric shock, turn off/unplug before installing or modifying the system.
- Fixtures can be used in enclosed space.
- The minimum dimensions for an enclosed space when installing 4 fixtures are:
11 13/16" X 11 13/16" X 7 7/8" Ø. (Figure 1)
- The maximum thickness of the mounting surface is 1 1/2" Ø.
- For use with LED-700MA12-P power supply.
- Installation should be performed by a qualified electrician only.
- Fixtures should be installed in accordance with local electrical codes.

Figure 1



CONNECTION AND INSTALLATION:

1. Drill a $\phi 9/16$ " hole through the mounting surface where the fixture will be installed.
2. Loosen and remove the locknut from the fixture.
3. Feed the stem holder and wires through the hole in the mounting surface.
4. Feed the wires through the removed locknut. Tighten locknut to the stem holder to secure fixture to the mounting surface.
5. Adjust the height of the stem by loosening the tightening screw.
6. Please refer to the instructions of LED-700MA12-P for wiring the fixtures.

FIELD SHORTENING:

1. Remove cap by turning counter clockwise. Loosen the set screw with Allen wrench.
2. Remove fixture head and unscrew the stem holder. Remove the sleeve from the end of the pole and set aside.
3. Cut stem to desired length.
4. Reinstall the fixture head and the stem holder. Replace the sleeve on the end of pole.

