

# INSTALLATION INSTRUCTION

## 3" SUMMIT™ 2.0 New Construction/Remodel

### HR3S-R30F-WT/HR3S-S30F-WT

WAC LIGHTING  
Responsible Lighting®

#### SAFETY INSTRUCTION

IMPORTANT: NEVER attempt any work without shutting off the electricity.

- Read all instructions before installing.
- System is intended for installation by a qualified electrician in accordance with the National Electrical Code and local regulations.
- Go to the main fuse box, or circuit breaker. Place the main power switch in the "OFF" position and unscrew the fuse(s) or switch "OFF" the circuit breaker switch(es) that control the power to the fixture or room that you are working on.
- Place the wall switch in the "OFF" position.

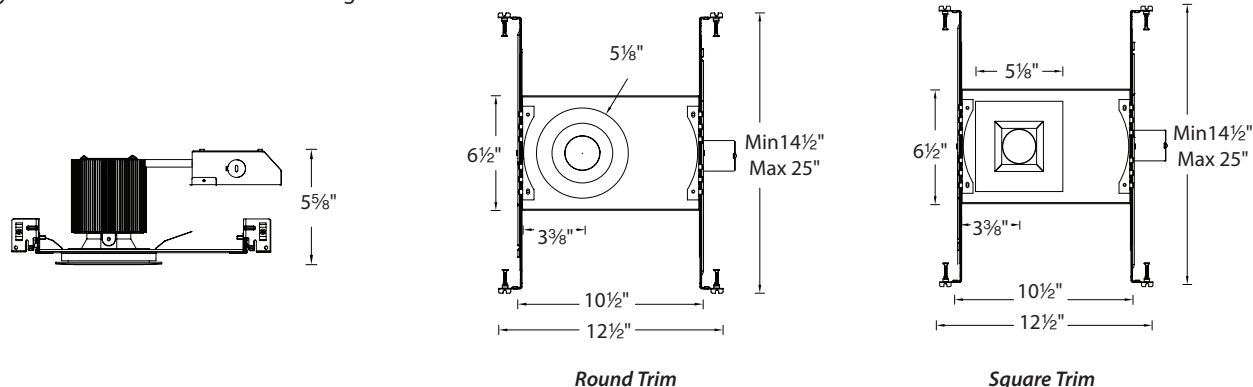
#### AVERTISSEMENT

IMPORTANT : Coupez l'électricité avant TOUTE manipulation.

- Lisez toutes les instructions avant d'installer.
- Système est destiné à être installé par un électricien qualifié en conformité avec le code national de l'électricité et les règlements locaux.
- Accédez au panneau central de disjoncteurs ou de fusibles de votre demeure et placez l'interrupteur principal en position d'arrêt (« OFF »).
- Placez l'interrupteur mural en position d'arrêt (« OFF »).

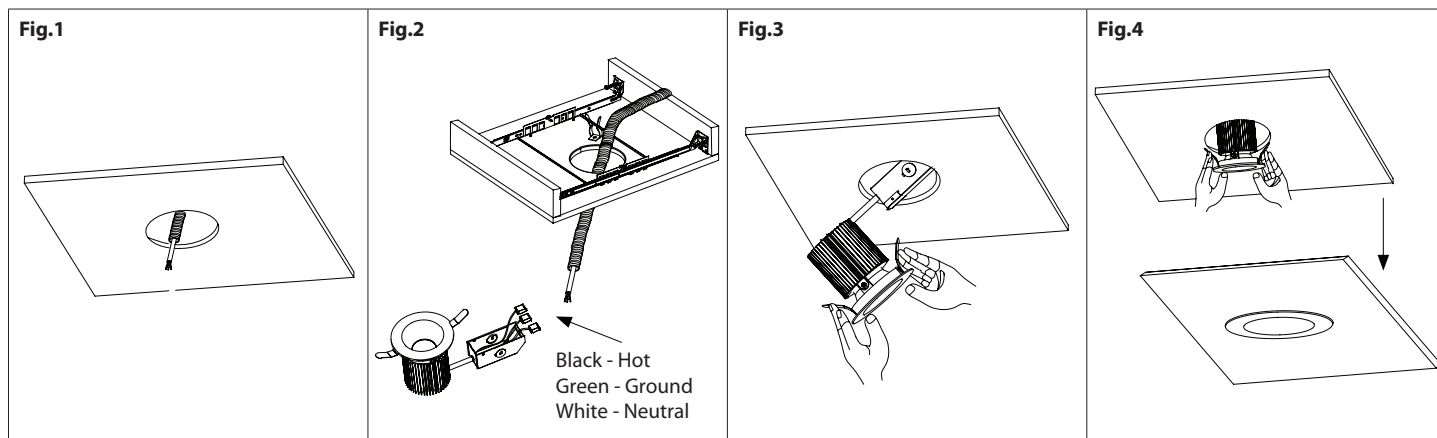
#### OVERVIEW

Housing sold as new construction may be re-configured in field for remodel. Type NON- IC, Fixtures may be used in non-insulated ceilings. May used with an electronic low voltage dimmer.



#### HOUSING INSTALLATION

1. When installing in drywall, cut a hole 4 5/8" in the drywall, pull ceiling wire through the hole ( **Fig.1**).
2. Remove feed knockout in fixture junction box, Pull out the junction box cover and connect fixture wires to building wires, insert each supply wire into appropriate junction box connector. Connect black fixture wire to hot, white fixture wire to neutral and green fixture wire to ground, secure conduit to junction box using appropriate connector. ( **Fig.2**).
3. Place all wiring and connectors back in wiring box and replace junction box cover.
4. Pivot the J-box up through the hole, depress trim spring clips and push the trim assembly up until the trim is flush to the ceiling ( **Fig.3, Fig.4**). (Note: Framing kit provided is for new construction mounting only, and can be discard in remodel application)



waclighting.com  
Phone (800) 526.2588  
Fax (800) 526.2585

Headquarters/Eastern Distribution Center  
44 Harbor Park Drive  
Port Washington, NY 11050

Central Distribution Center  
1600 Distribution Ct  
Lithia Springs, GA 30122

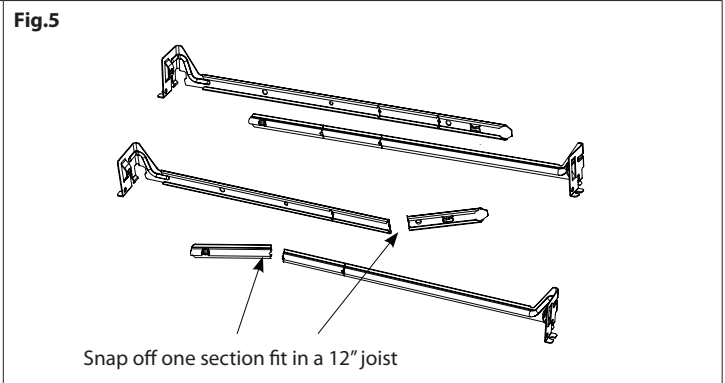
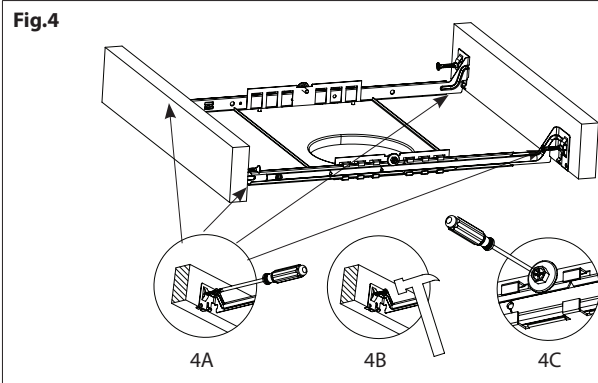
Western Distribution Center  
1750 Archibald Avenue  
Ontario, CA 91760

**INSTALLATION INSTRUCTION**  
**3" SUMMIT™ 2.0 New Construction/Remodel**  
**HR3S-R30F-WT/HR3S-S30F-WT**

**WAC LIGHTING**  
 Responsible Lighting®

**MOUNTING FOR NEW CONSTRUCTION:**

1. Install mounting frame using two hanger bars, (25" max). Bars are notched on the ends to fit over "T" bars in suspended ceilings. Hanger bars include a captive mounting "screw-nail" for ease of installation (**Fig.4A**). Align the bottom of the hanger bar with the bottom of the wood joist. Secure the "screw-nail" on each end by screwdriver (**Fig.4A**), or by hammer (**Fig.4B**).
2. Slide fixture along bar hangers into desired location. Use locking screws to secure (**Fig.4C**).
3. To shorten hanger bars to fit in a 12" joist, snap off one section of the hanger bars (**Fig.5**).



4. Cut a 4 5/8" hole in ceiling centered on mounting from hole. (Note: 1/2" - 3/4" ceiling thickness.)
5. Remove feed knockout in fixture junction box.
6. Remove spring latched junction box door, secure the conduit and connect fixture wires to building wires: insert each supply wire into appropriate junction box connector. Connect black fixture wire to hot wire, white fixture wire to neutral wire and green fixture wire to ground (as **Fig.6**).
7. Place all wiring and connectors back in wiring box and replace junction box door.
8. Push the trim assembly up until the trim ring is flush to the ceiling (as **Fig.7, Fig.8**).

