

**INSTALLATION INSTRUCTION**  
**LEDme® - 4" Invisible Trim™ IC Square**  
**Remodel Housing - HR-LED418-RIC-SQ**

**WAC LIGHTING**  
 Responsible Lighting®

**SAFETY INSTRUCTION**

IMPORTANT: NEVER attempt any work without shutting off the electricity.

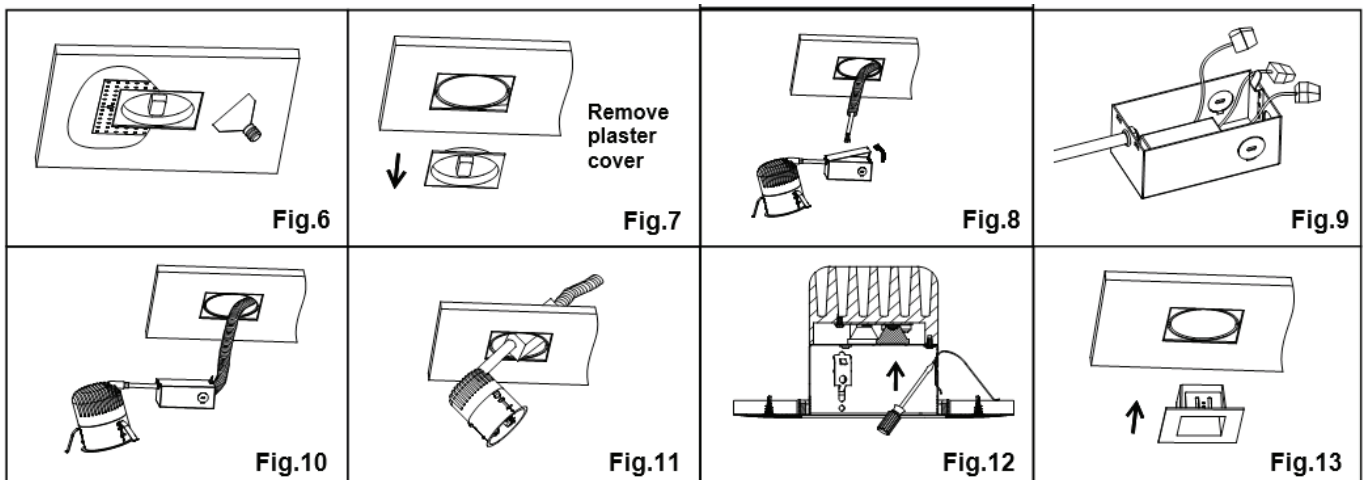
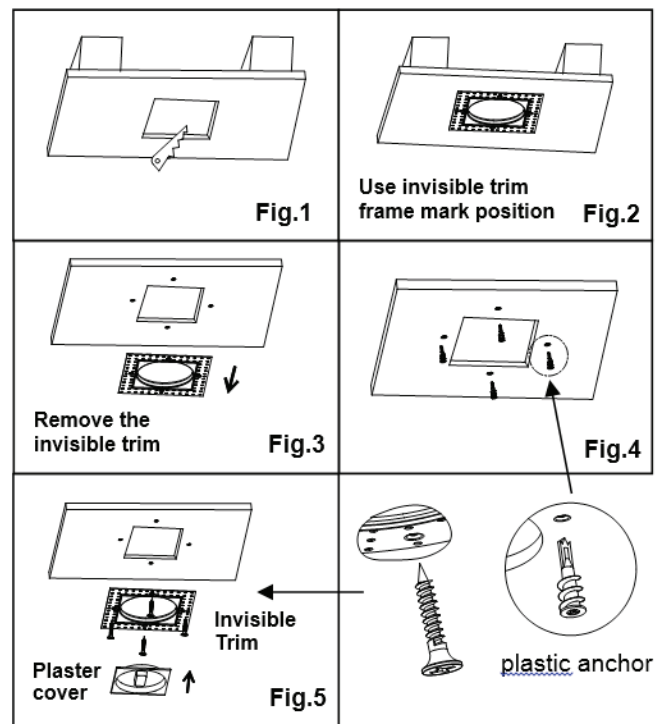
- Read all instructions before installing.
- For installation by a qualified electrician.
- System is intended for installation in accordance with National Electric Code, and local regulations.
- Consult with local inspector to assure compliance.
- To reduce the risk of fire, electrical shock and injuries to persons, turn off power at main switch before installing or modifying the system.
- Warning: (Risk of fire) do not install insulation within 3 inches of fixture sides, or junction box, or in a manner to entrap heat.
- Retain instructions for future maintenance reference.

**OVERVIEW:**

Housing is remodeling type, 11 watts maximum. Housing requires an Invisible Trim™ from the HR-LED400TL series. May be used with a standard incandescent dimmer switch, or an electronic low voltage (ELV) dimmer.

**MOUNTING:**

1. Cut out a hole Ø5" in the drywall (as Fig.1).
2. Raise Invisible Trim™ frame to ceiling opening as a template to mark position of countersinks for plastic anchors installation (as Fig.2 and Fig.3). Install plastic anchors to ceiling (as Fig.4).
3. Raise Invisible Trim™ frame to ceiling opening and secure with screws supplied (as Fig.5).
4. Apply plaster or spackle over Invisible Trim and sand surface when dry for a finished look (as Fig.6). Remove plaster cover (as Fig.7). Pull ceiling wire through the hole (as Fig.8).
5. Remove junction box door and connect fixture wires to building wires, insert each supply wire into appropriate junction box connector. Connect black fixture wire to hot, white fixture wire to neutral and green fixture wire to ground (as Fig.9).
6. Place all wiring and connectors back in wiring box and replace junction box door (as Fig.10).
7. Pivot the J box up through the hole, followed by the can (as Fig.11).
8. Raise the housing in the Invisible Trim and push the springs outward from inside the can (as Fig.12).
9. Push the Invisible Trim assembly up until the Invisible Trim is flush to the ceiling (as Fig.13).



WAC Lighting  
 www.waclighting.com  
 Phone (800) 526.2588 • Fax (800) 526.2585

Headquarters/Eastern Distribution Center  
 44 Harbor Park Drive • Port Washington, NY 11050  
 Phone (516) 515.5000 • Fax (516) 515.5050

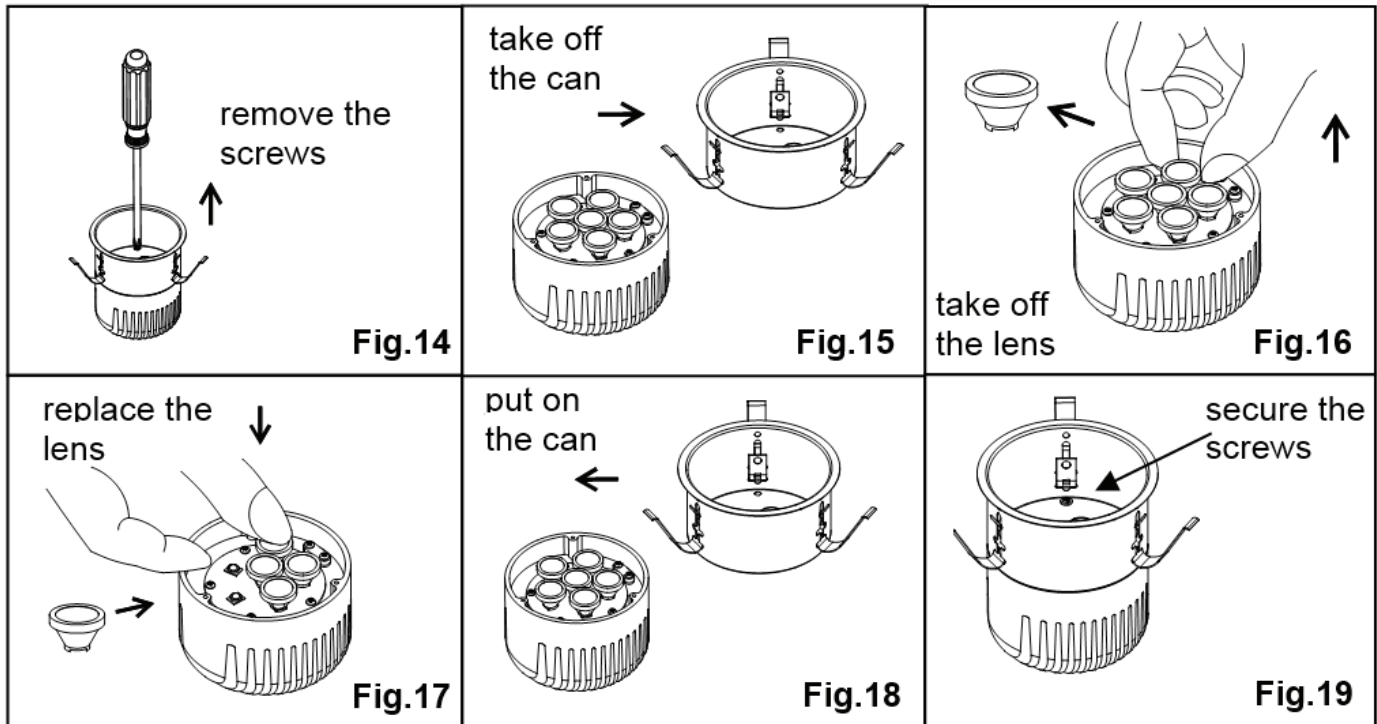
Western Distribution Center  
 1750 Archibald Ave • Ontario, CA 91761  
 Phone (800) 526.2588 • Fax (800) 526.2585

INSTALLATION INSTRUCTION  
**LEDme® - 4" Invisible Trim™ IC Square**  
**Remodel Housing - HR-LED418-RIC-SQ**

**WAC LIGHTING**  
Responsible Lighting®

**REPLACE LED LENS:**

1. Remove the screws and take off the can (as Fig.14 and Fig.15).
2. Replace the lens you choose (as Fig.16 and Fig.17).
3. Put on the can and secure the screws (as Fig.18 and Fig.19).



WAC Lighting  
www.waclighting.com  
Phone (800) 526.2588 • Fax (800) 526.2585

Headquarters/Eastern Distribution Center  
44 Harbor Park Drive • Port Washington, NY 11050  
Phone (516) 515.5000 • Fax (516) 515.5050

Western Distribution Center  
1750 Archibald Ave • Ontario, CA 91761  
Phone (800) 526.2588 • Fax (800) 526.2585

# INSTALLATION INSTRUCTION

## LEDme® - 4" Invisible Trim™ Non-IC Square

### Remodel Housing - HR-LED418-R-SQ

WAC LIGHTING  
Responsible Lighting®

#### SAFETY INSTRUCTION

IMPORTANT: NEVER attempt any work without shutting off the electricity.

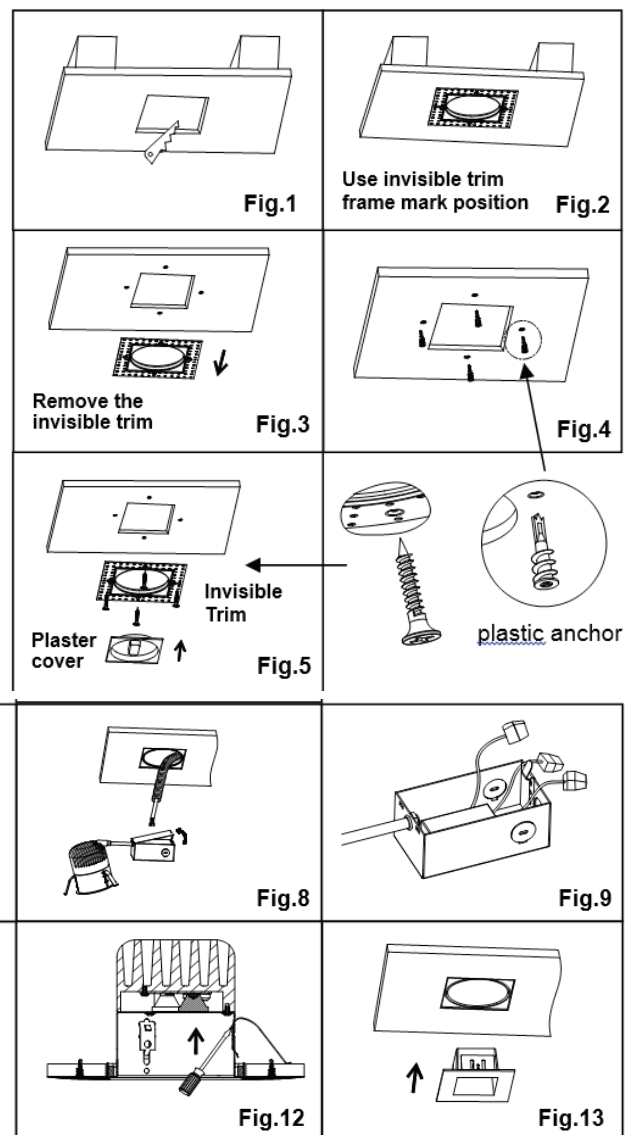
- Read all instructions before installing.
- For installation by a qualified electrician.
- System is intended for installation in accordance with National Electric Code, and local regulations.
- Consult with local inspector to assure compliance.
- To reduce the risk of fire, electrical shock and injuries to persons, turn off power at main switch before installing or modifying the system.
- Warning: (Risk of fire) do not install insulation within 3 inches of fixture sides, or junction box, or in a manner to entrap heat.
- Retain instructions for future maintenance reference.

#### OVERVIEW:

Housing is remodeling type, 18 watts maximum. Housing requires an Invisible Trim™ from the HR-LED400TL series. May be used with a standard incandescent dimmer switch, or an electronic low voltage (ELV) dimmer

#### MOUNTING:

1. Cut out a hole Ø5" in the drywall (as Fig.1).
2. Raise Invisible Trim™ frame to ceiling opening as a template to mark position of countersinks for plastic anchors installation (as Fig.2 and Fig.3).
3. Install plastic anchors to ceiling (as Fig.4).
4. Raise Invisible Trim™ frame to ceiling opening and secure with screws supplied (as Fig.5).
5. Apply plaster or spackle over Invisible Trim and sand surface when dry for a finished look (as Fig.6).
6. Remove plaster cover (as Fig.7). Pull ceiling wire through the hole (as Fig.8).
7. Remove junction box door and connect fixture wires to building wires, insert each supply wire into appropriate junction box connector. Connect black fixture wire to hot, white fixture wire to neutral and green fixture wire to ground (as Fig.9).
8. Place all wiring and connectors back in wiring box and replace junction box door (as Fig.10).
9. Pivot the J box up through the hole, followed by the can (as Fig.11).
10. Raise the housing in the Invisible Trim and push the springs outward from inside the can (as Fig.12).
11. Push the Invisible Trim assembly up until the Invisible Trim is flush to the ceiling (as Fig.13).



WAC Lighting  
www.waclighting.com  
Phone (800) 526.2588 • Fax (800) 526.2585

Headquarters/Eastern Distribution Center  
44 Harbor Park Drive • Port Washington, NY 11050  
Phone (516) 515.5000 • Fax (516) 515.5050

Western Distribution Center  
1750 Archibald Ave • Ontario, CA 91761  
Phone (800) 526.2588 • Fax (800) 526.2585

INSTALLATION INSTRUCTION  
**LEDme® - 4" Invisible Trim™ Non-IC Square**  
**Remodel Housing - HR-LED418-R-SQ**

**WAC LIGHTING**  
Responsible Lighting®

**REPLACE LED LENS:**

1. Remove the screws and take off the can (as Fig.14 and as Fig.15).
2. Replace the lens you choose (as Fig.16 and Fig.17).
3. Put on the can and secure the screws (as Fig.18 and Fig.19).

