

INSTALLATION INSTRUCTION

Tesla 3.5" LED - IC New Construction Housing

HR-3LED-H18D1*, HR-3LED-H18D*

WAC LIGHTING
Responsible Lighting®

SAFETY INSTRUCTION

IMPORTANT: NEVER attempt any work without shutting off the electricity.

- Read all instructions before installing.
- System is intended for installation by a qualified electrician in accordance with the National Electrical Code and local regulations.
- Go to the main fuse box, or circuit breaker. Place the main power switch in the "OFF" position and unscrew the fuse(s) or switch "OFF" the circuit breaker switch(es) that control the power to the fixture or room that you are working on.
- Place the wall switch in the "OFF" position.

CAUTION:

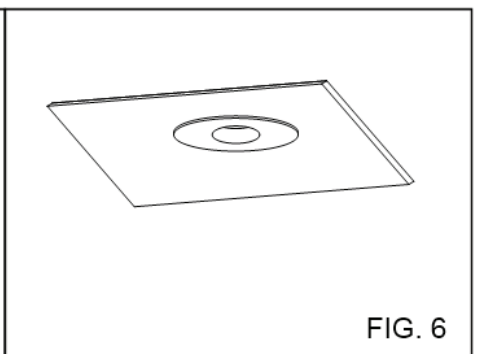
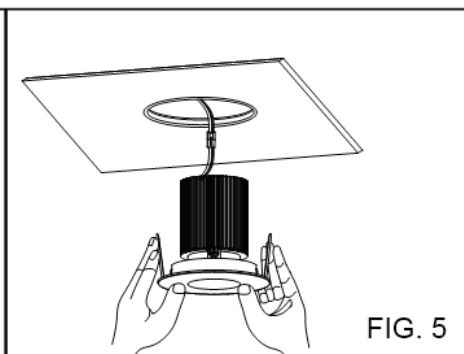
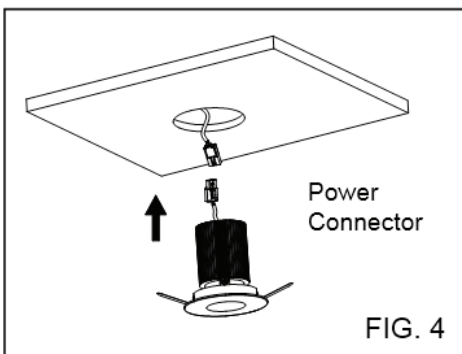
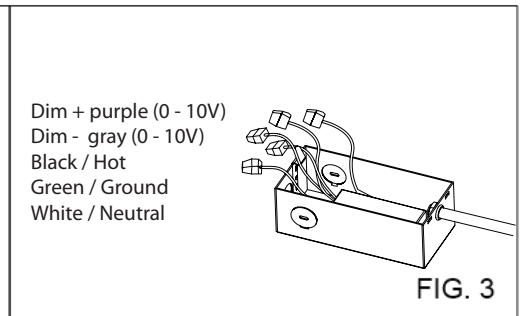
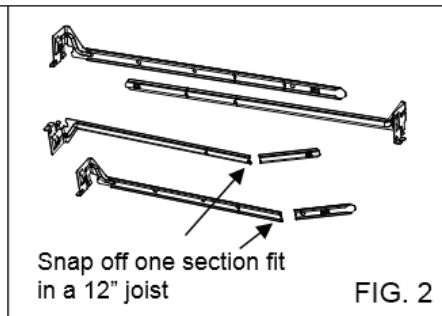
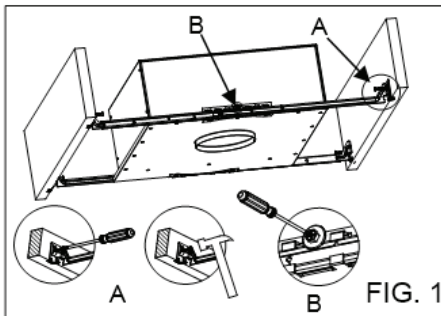
All parts must be used as indicated in these instructions. Do not substitute any parts, leave parts out, or use any parts that are worn out or broken. Failure to follow this instruction could invalidate the ETL/CETL listing of this fixture.

OVERVIEW:

Housing is new construction IC, AIRTIGHT. Housing requires a trim for finished look. Check catalog for various trims choices.

HOUSING INSTALLATION:

1. Install housing using two hanger bar provided, align the bottom of the hanger bar with the bottom of the wood joist, secure the "screw-nail" on each end by screw-driver or by hammer(See **FIG.1** detail A).Slide fixture along hanger bar into desired location, use locking screws to secure (See **FIG.1** detail B).
2. To shorten hanger bars to fit in a 12" joist, snap off one section of the hanger bars (See **FIG.2**).
3. Remove fixture junction box door and connect fixture wires to building wires: insert each supply wire into appropriate junction box connector. This fixture features electronic low voltage (ELV) or 0-10V dimming capabilities. To utilize ELV, wire black (line hot) and white (line neutral) in accordance to dimmer specifications. To utilize 0-10V dimming, wire purple (dim+), gray (dim-), black (line hot), white (line neutral) in accordance to dimmer specifications. Green fixture wire to ground (as **Fig.3**). Place all wiring and connectors back in junction box and replace the junction box's cover.
4. When installing in drywall, cut a hole 4 5/8" in the drywall. Note: 1/2" to 1" inch maximum ceiling thickness.
5. Connect power for trim to housing, depress trim spring clips and push the trim assembly up until the trim ring is flush to the ceiling (as **Fig.4, Fig.5 and Fig.6**).



waclighting.com
Phone (800) 526.2588
Fax (800) 526.2585

Headquarters/Eastern Distribution Center
44 Harbor Park Drive
Port Washington, NY 11050

Central Distribution Center
1600 Distribution Ct
Lithia Springs, GA 30122

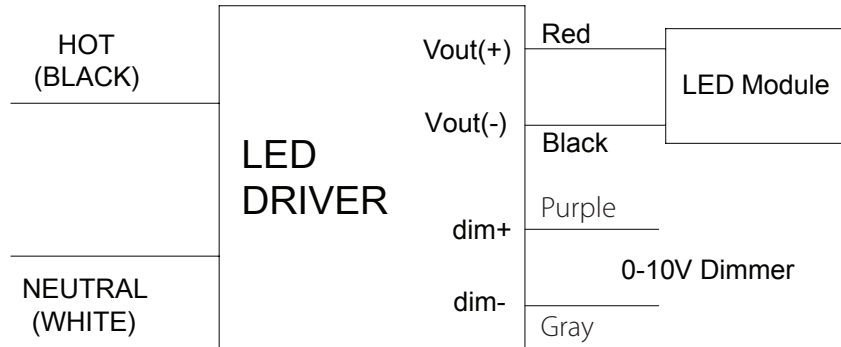
Western Distribution Center
1750 Archibald Avenue
Ontario, CA 91760

INSTALLATION INSTRUCTION
Tesla 3.5" LED - IC New Construction Housing

HR-3LED-H18D1*, HR-3LED-H18D*

WAC LIGHTING
Responsible Lighting®

WIRING DIAGRAM:



waclighting.com
Phone (800) 526.2588
Fax (800) 526.2585

Headquarters/Eastern Distribution Center
44 Harbor Park Drive
Port Washington, NY 11050

Central Distribution Center
1600 Distribution Ct
Lithia Springs, GA 30122

Western Distribution Center
1750 Archibald Avenue
Ontario, CA 91760