

INSTALLATION INSTRUCTION
Tesla 3" LED - Non-IC New Construction Housing
 HR-3LED-H18D-A

SAFETY INSTRUCTION

IMPORTANT: NEVER attempt any work without shutting off the electricity.

- Read all instructions before installing.
- System is intended for installation by a qualified electrician in accordance with the National Electrical Code and local regulations.
- Go to the main fuse box, or circuit breaker. Place the main power switch in the "OFF" position and unscrew the fuse(s) or switch "OFF" the circuit breaker switch(es) that control the power to the fixture or room that you are working on.
- Place the wall switch in the "OFF" position.

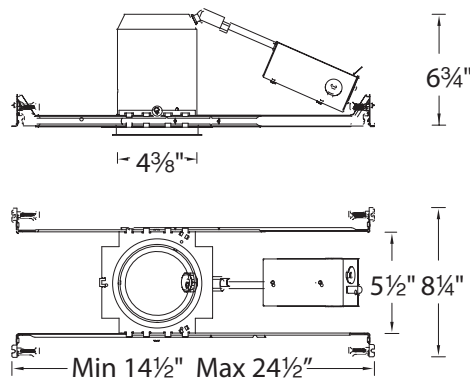
CAUTION:

All parts must be used as indicated in these instructions. Do not substitute any parts, leave parts out, or use any parts that are worn out or broken. Failure to follow this instruction could invalidate the ETL/CETL listing of this fixture.

OVERVIEW:

Housing is new construction Non-IC. Housing requires a trim for finished look. Check catalog for various trims choices.

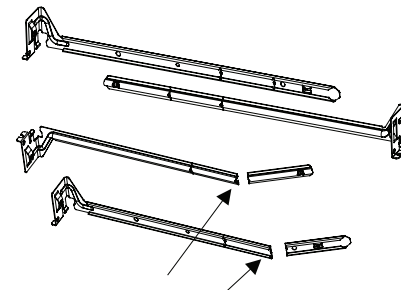
FIG.1 - Overall Housing Dimensions



HOUSING INSTALLATION:

1. To shorten provided hanger bars to fit in a 12" joist, snap off one section of the hanger bars before installation (See FIG.2).

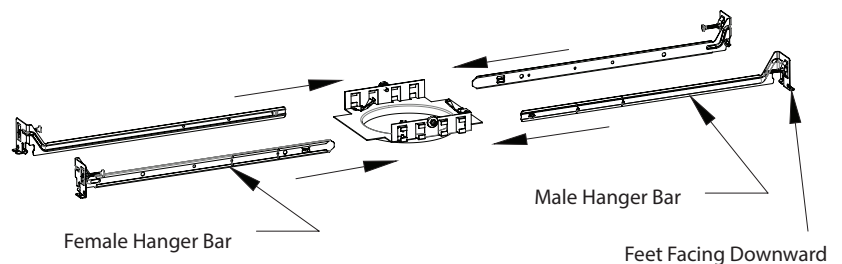
FIG.2



Snap off one section fit in a 12" joist

2. Slide the male & female hanger bars through the mounting plate guides and into each other. Feet on hanger bars to be facing downwards (See FIG. 3).

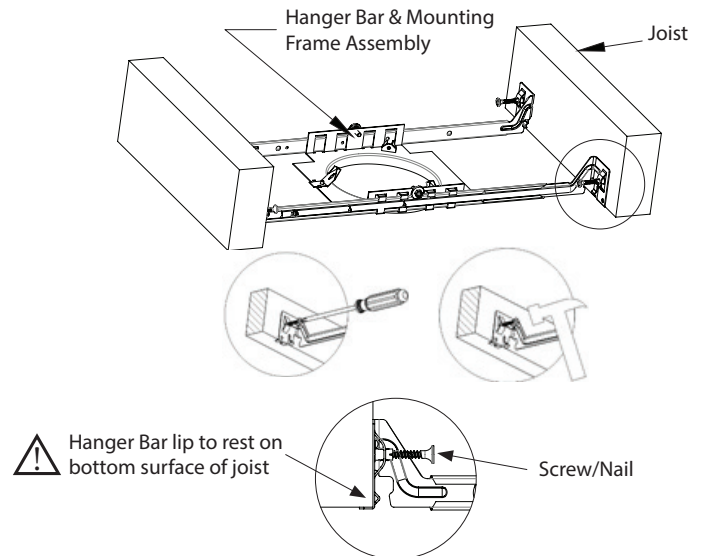
FIG.3



INSTALLATION INSTRUCTION
Tesla 3" LED - Non-IC New Construction Housing
 HR-3LED-H18D-A

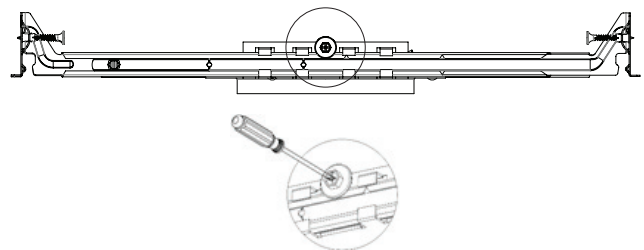
3. Install the hanger bar and mounting frame assembly such that the lip of the hanger bar rests on the bottom surface of the joist. Use a screw-driver or hammer to secure the "screw-nail" into the wood (See **FIG.4**).

FIG.4



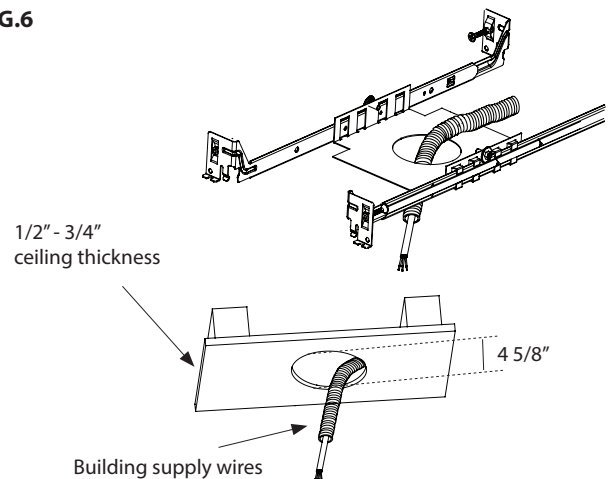
4. Slide mounting plate along hanger bars into desired location and secure using locking screws (See **FIG. 5**)

FIG.5



5. Cut a 4 5/8" hole in the drywall at the point of installation and install drywall. (See **FIG. 6**)

FIG.6



Note: Be sure to lead the building supply wires through the mounting plate and hole in the drywall before installation. Maximum 3/4" drywall thickness allowed for installation

INSTALLATION INSTRUCTION

Tesla 3" LED - Non-IC New Construction Housing

HR-3LED-H18D-A

- Remove fixture junction box door and connect fixture wires to building wires: insert each supply wire into appropriate junction box connector. This fixture features electronic low voltage (ELV) or 0-10V dimming capabilities.

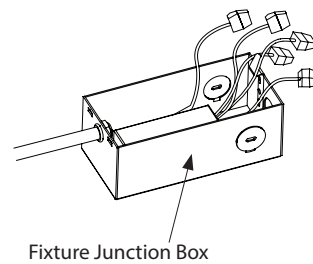
To utilize ELV, wire black (line hot) and white (line neutral) in accordance to dimmer specifications. To utilize 0-10V dimming, wire purple (dim+), gray (dim-), black (line hot), and white (line neutral) in accordance to dimmer specifications. When not using a dimmer, connect black fixture wire to hot, white fixture wire to neutral and green fixture wire to ground. Leave all other wires capped individually. Place all wiring and connectors back in junction box and replace the junction box's cover.

- Push the junction box and housing assembly upward through both the ceiling hole and mounting plate until housing, pull the can down about 3 inch (See **FIG. 8**).
- If installed too far into the drywall, slowly rotate and pull the housing downward to the correct position (See **FIG. 9**).

- Secure the retaining cable on heat sink by screw then push the spring to insert trim into housing (See **FIG. 10**) Attach the quick connect from housing to trim.

- After trim install into the housing, then push it into the ceiling and firmly touch the ceiling (See **FIG.11**)

FIG.7



Black - Hot
Green - Ground
White - Neutral
Purple - 0-10V Dim+
Gray - 0-10V Dim-

FIG.8

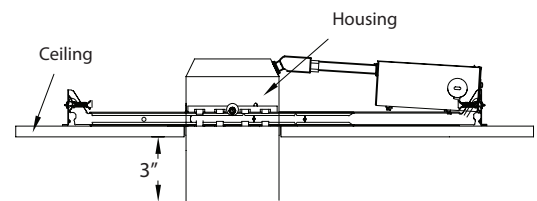


FIG.9

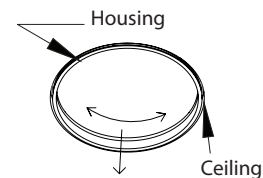


FIG.10

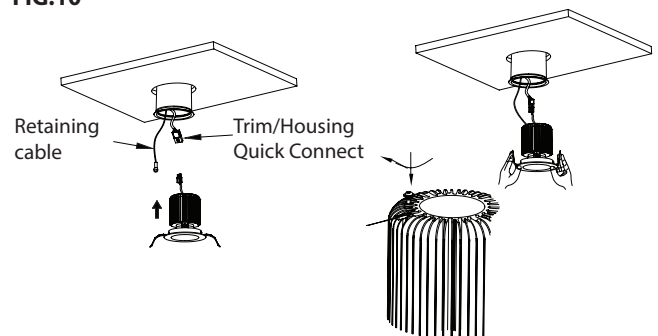
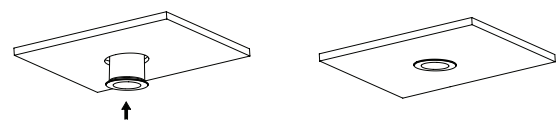
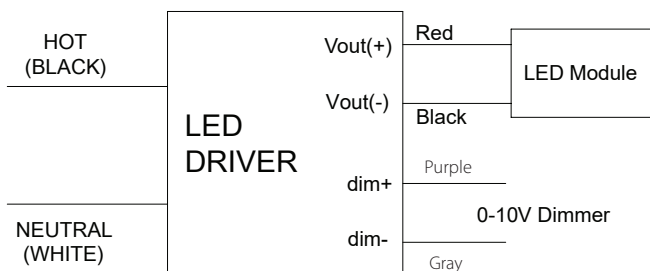


FIG.11



WIRING DIAGRAM:



waclighting.com
 Phone (800) 526.2588
 Fax (800) 526.2585

Headquarters/Eastern Distribution Center
 44 Harbor Park Drive
 Port Washington, NY 11050

Central Distribution Center
 1600 Distribution Ct
 Lithia Springs, GA 30122

Western Distribution Center
 1750 Archibald Avenue
 Ontario, CA 91760