

INSTALLATION INSTRUCTION

3" AC LED - Non-IC New Construction Housing

HR-3LED-17R-F30-WT

WAC LIGHTING
Responsible Lighting®

SAFETY INSTRUCTION

IMPORTANT: NEVER attempt any work without shutting off the electricity.

- Read all instructions before installing.
- System is intended for installation by a qualified electrician in accordance with the National Electrical Code and local regulations.
- Go to the main fuse box, or circuit breaker. Place the main power switch in the "OFF" position and unscrew the fuse(s) or switch "OFF" the circuit breaker switch(es) that control the power to the fixture or room that you are working on.
- Place the wall switch in the "OFF" position.

AVERTISSEMENT

IMPORTANT : Coupez l'électricité avant TOUTE manipulation.

- Lisez toutes les instructions avant d'installer.
- Système est destiné à être installé par un électricien qualifié en conformité avec le code national de l'électricité et les règlements locaux.
- Toujours mettre le fusible ou le disjoncteur en position arrêt dans la pièce ou des travaux électriques sont prévus.
- Placez l'interrupteur mural en position d'arrêt (« OFF »).

OVERVIEW

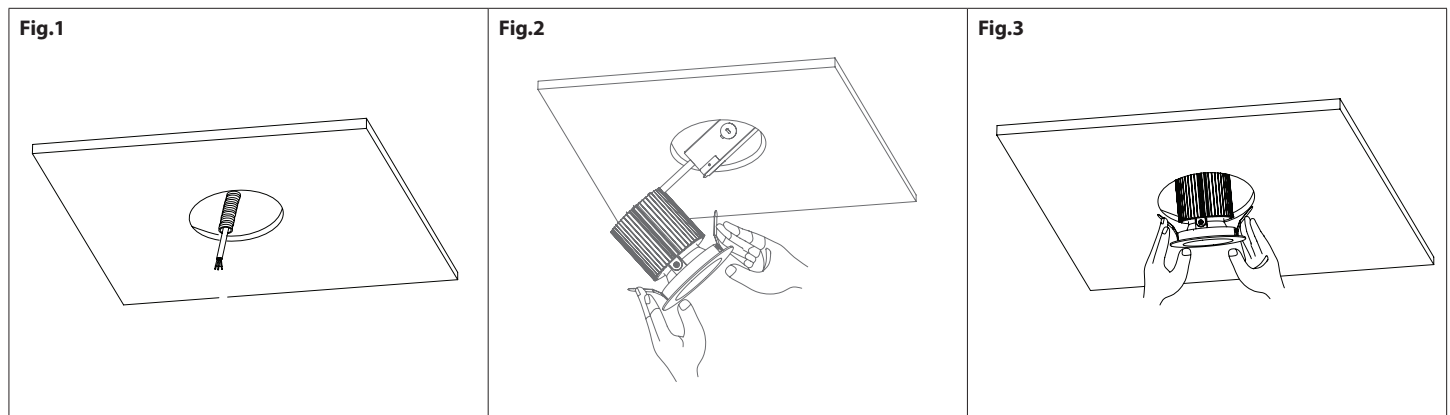
Housing sold as new construction and may be re-configured in field for remodel. This is a NON- IC fixture which is to be used in non-insulated ceilings. May used with an electronic low voltage dimmer.

MOUNTING FOR REMODEL:

1. When installing in drywall, cut a 4 5/8" hole in the drywall, pull ceiling wire through the hole (**Fig.1**).
2. Pull out the junction box cover and connect fixture wires to building wires, insert each supply wire into appropriate junction box connector. Connect black fixture wire to hot, white fixture wire to neutral and green fixture wire to ground.
3. Place all wiring and connectors back in wiring box and replace junction box cover.

Pivot the J-box up through the hole, depress trim spring clips and push the trim assembly up until the trim ring is flush to the ceiling (**Fig.2, Fig.3**)

Note: Framing kit is not needed for remodel installation, 1/2" - 3/4" maximum ceiling thickness.



WAC Lighting
www.waclighting.com
Phone (800) 526.2588 • Fax (800) 526.2585

Headquarters/Eastern Distribution Center
44 Harbor Park Drive • Port Washington, NY 11050
Phone (516) 515.5000 • Fax (516) 515.5050

Western Distribution Center
1750 Archibald Ave • Ontario, CA 91761
Phone (800) 526.2588 • Fax (800) 526.2585

INSTALLATION INSTRUCTION

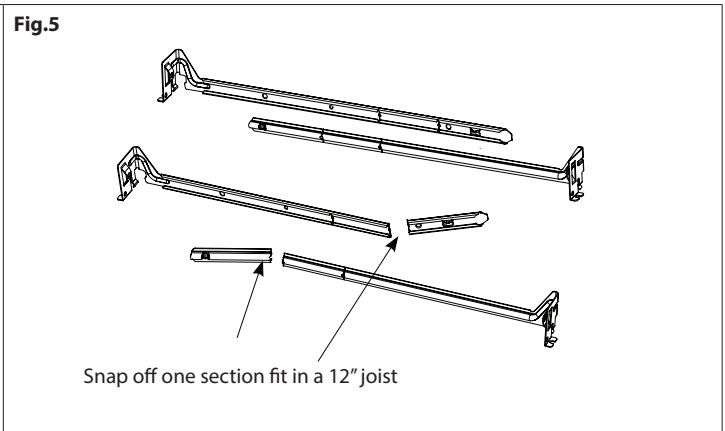
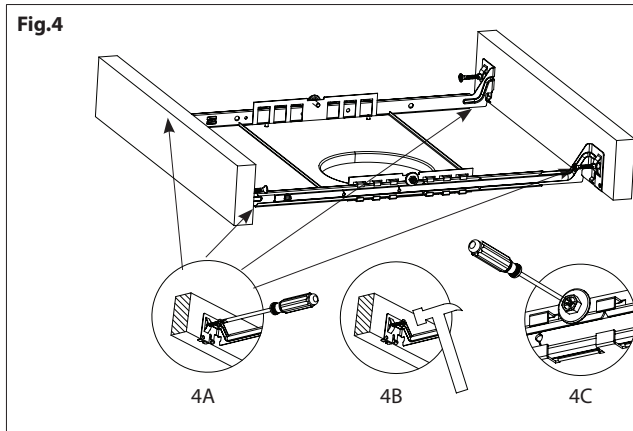
3" AC LED - Non-IC New Construction Housing

HR-3LED-17R-F30-WT

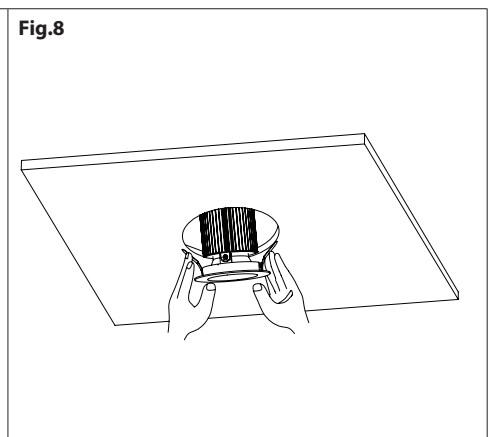
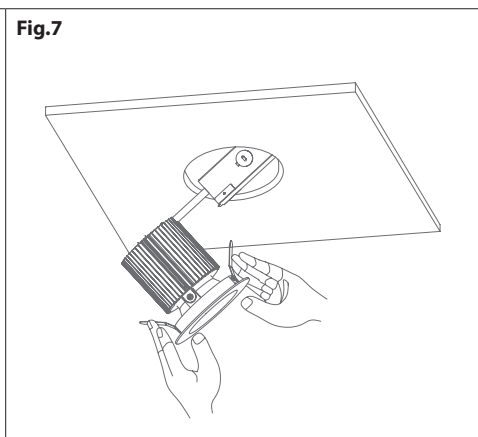
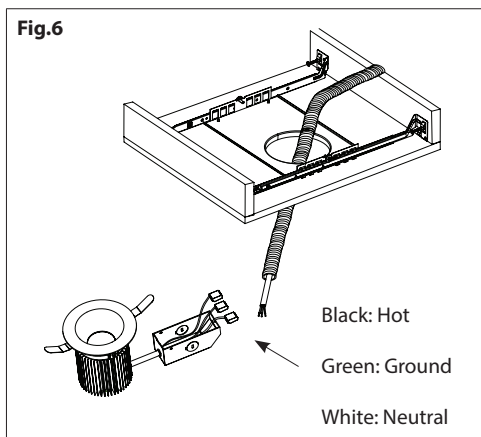
WAC LIGHTING
Responsible Lighting®

MOUNTING FOR NEW CONSTRUCTION:

1. Install mounting frame using two hanger bars (25" max). Bars are notched on the ends to fit over "T" bars in suspended ceilings. Hanger bars include a captive mounting "screw-nail" for ease of installation (**Fig.4**). Align the bottom of the hanger bar with the bottom of the wood joist. Secure the "screw-nail" on each end by screwdriver (**Fig.4A**), or by hammer (**Fig.4B**).
2. Slide fixture along hanger bars into desired location. Use locking screws to secure (**Fig.4C**).
3. To shorten hanger bars to fit in a 12" joist, snap off one section of the hanger bars (**Fig.5**).
4. Junction box is suitable for branch wiring and has trade size knockouts and integral non-metallic sheathed cable connectors.



5. Remove spring latched junction box door and connect fixture wires to building wires: insert each supply wire into appropriate junction box connector. Connect black fixture wire to hot wire, white fixture wire to neutral wire and green fixture wire to ground (as **Fig.6**).
6. Place all wiring and connectors back in wiring box and replace junction box door.
7. When installing in drywall, cut a 4 5/8" hole in the drywall. Note: 1/2" - 3/4" maximum ceiling thickness.
8. Push the trim assembly up until the trim ring is flush to the ceiling (as **Fig.7, Fig.8**).



WAC Lighting
www.waclighting.com
Phone (800) 526.2588 • Fax (800) 526.2585

Headquarters/Eastern Distribution Center
44 Harbor Park Drive • Port Washington, NY 11050
Phone (516) 515.5000 • Fax (516) 515.5050

Western Distribution Center
1750 Archibald Ave • Ontario, CA 91761
Phone (800) 526.2588 • Fax (800) 526.2585