

# INSTALLATION INSTRUCTION

## LED202/LED208 - AC LED Track Luminaires

HM1-LED202, HM1-LED208

WAC LIGHTING  
Responsible Lighting®

### WARNING

IMPORTANT: NEVER attempt any work without shutting off the electricity.

- Read all instructions before installing.
- System is intended for installation by a qualified electrician in accordance with the National Electrical Code and local regulations.
- Place the wall switch in the "OFF" position.
- Go to the main fuse box, or circuit breaker. Place the main power switch in the "OFF" position and unscrew the fuse(s) or switch "OFF" the circuit breaker switch(es) that control the power to the fixture or room that you are working on.

### AVERTISSEMENT

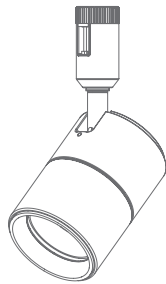
IMPORTANT : Coupez l'électricité avant TOUTE manipulation.

- Lisez toutes les instructions avant d'installer.
- Système est destiné à être installé par un électricien qualifié en conformité avec le code national de l'électricité et les règlements locaux.
- Placez l'interrupteur mural en position d'arrêt (« OFF »).
- Accédez au panneau central de disjoncteurs ou de fusibles de votre demeure et placez l'interrupteur principal en position d'arrêt (« OFF »).

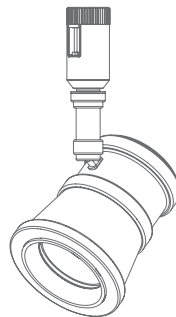
### OVERVIEW:

Fixtures are designed for use on WAC Lighting's HM1-T series track system only.

**Note:** All parts must be used as indicated in these instructions. Do not substitute any parts, leave parts out, or use any parts that are worn out or broken. Failure to follow this instruction could invalidate the ETL/CETL listing of this fixture.



LED202



LED208

WAC Lighting  
www.waclighting.com  
Phone (800) 526.2588 • Fax (800) 526.2585

Headquarters/Eastern Distribution Center  
44 Harbor Park Drive • Port Washington, NY 11050  
Phone (516) 515.5000 • Fax (516) 515.5050

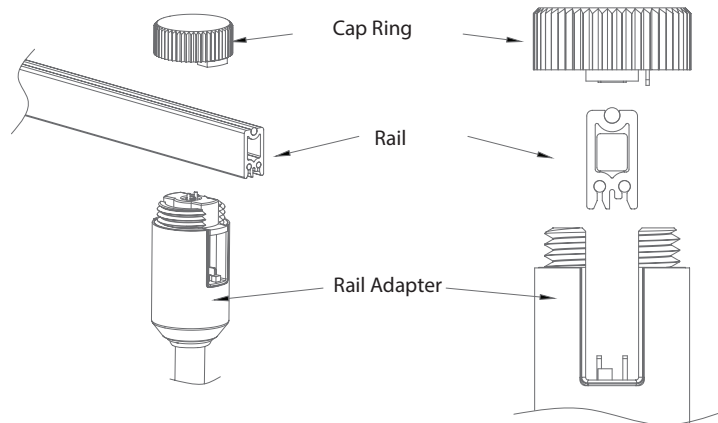
Western Distribution Center  
1750 Archibald Ave • Ontario, CA 91761  
Phone (800) 526.2588 • Fax (800) 526.2585

INSTALLATION INSTRUCTION  
**LED202/LED208 - AC LED Track Luminaires**  
HM1-LED202, HM1-LED208

**WAC LIGHTING**  
Responsible Lighting®

**FIXTURE INSTALLATION:**

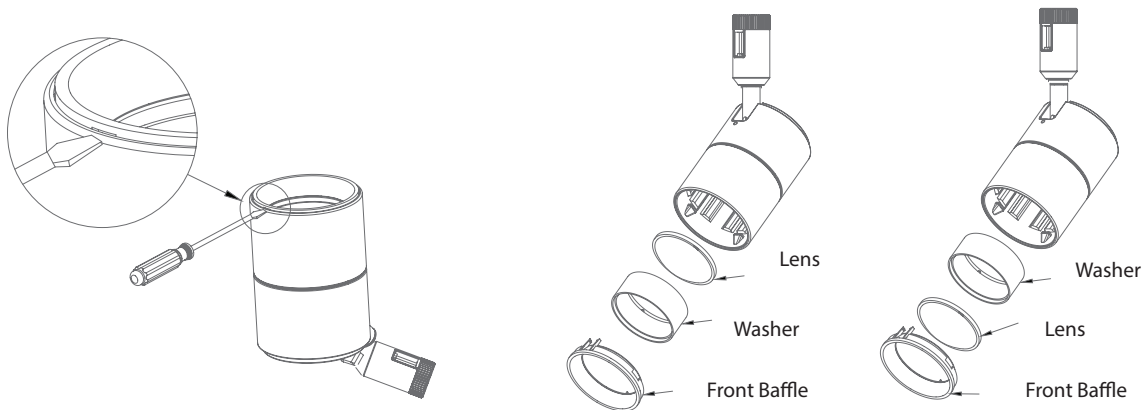
1. Unscrew the cap ring from the rail adapter.
2. Align contact points of the adapter to the rail.
3. Insert the open end of the rail adapter into the rail and make sure that the contact points sit into the grooves of the rail.
4. Place the cap ring back onto the rail adapter and screw tight.
5. After the rail adapter is installed, rotate the luminaire body horizontally or vertically to aim properly.



**BEAM ANGLE SELECT:**

The fixture has two beam angles to be selected: flood and spot.

1. Remove the front baffle with a proper tool.
2. In order to get the flood beam angle; place the lens and spacer into the fixture consecutively.
3. In order to get the spot beam angle; place the spacer and lens into the fixture consecutively.
4. Snap the front baffle back into the fixture.



**Flood Light**

**Spot Light**

WAC Lighting  
www.waclighting.com  
Phone (800) 526.2588 • Fax (800) 526.2585

Headquarters/Eastern Distribution Center  
44 Harbor Park Drive • Port Washington, NY 11050  
Phone (516) 515.5000 • Fax (516) 515.5050

Western Distribution Center  
1750 Archibald Ave • Ontario, CA 91761  
Phone (800) 526.2588 • Fax (800) 526.2585

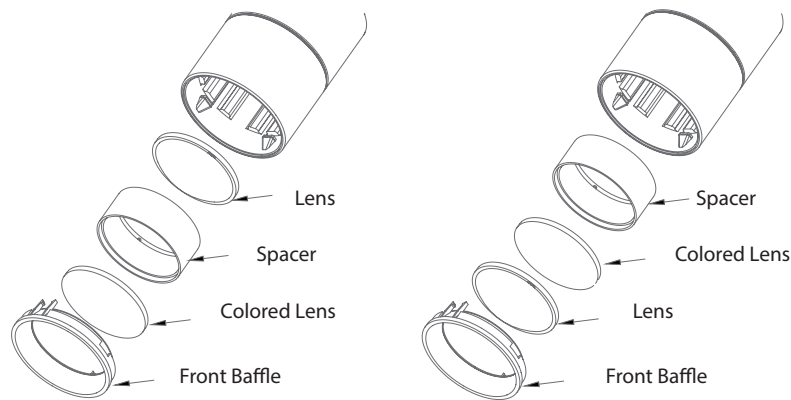
INSTALLATION INSTRUCTION  
**LED202/LED208 - AC LED Track Luminaires**  
HM1-LED202, HM1-LED208

**WAC LIGHTING**  
Responsible Lighting®

**ACCESSORIES** (Order separately):

The fixtures can accommodate colored glasses as accessories. The colored glasses can be installed in two ways depending on the desired beam angle.

1. Remove the front baffle with a proper tool.
2. In order to get the flood beam angle in color; place the lens, spacer and colored glass into the fixture consecutively.
3. In order to get the spot beam angle in color; place the spacer, colored glass and lens into the fixture consecutively.
4. Snap the front baffle back into the fixture.



**Flood Light**

**Spot Light**

**WAC Lighting**  
www.waclighting.com  
Phone (800) 526.2588 • Fax (800) 526.2585

**Headquarters/Eastern Distribution Center**  
44 Harbor Park Drive • Port Washington, NY 11050  
Phone (516) 515.5000 • Fax (516) 515.5050

**Western Distribution Center**  
1750 Archibald Ave • Ontario, CA 91761  
Phone (800) 526.2588 • Fax (800) 526.2585