

# INSTRUCTIONS: Installing Flexrail2™ Fixtures

## Safety Instructions:

A qualified electrician must install fixture only. Fixture is intended for installation in accordance with National Electric Code, local and Federal code specifications.

To reduce the risk of fire, electrical shock and injuries to persons:

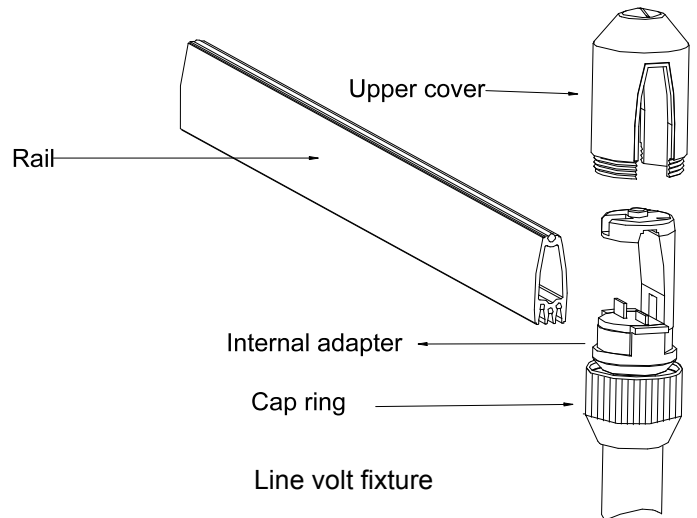
1. Read all instructions.
2. Turn off power at main switch before installing or modifying the system.
3. Do not install within six inches of any curtain or combustible materials.
4. Do not install less than 5 feet above a floor.
5. Do not install in damp or wet locations.
6. Do not install concealed, or extended through building walls.
7. Do not attempt to energize anything other than a track light fixture.
8. Do not load rail to more than 20 amps per circuit.

**Overview:** Fixtures are designed for use on WAC Flexrail2™ series track.

## Installing Fixtures:

The fixture adapter is comprised of a cover piece and an internal adapter.

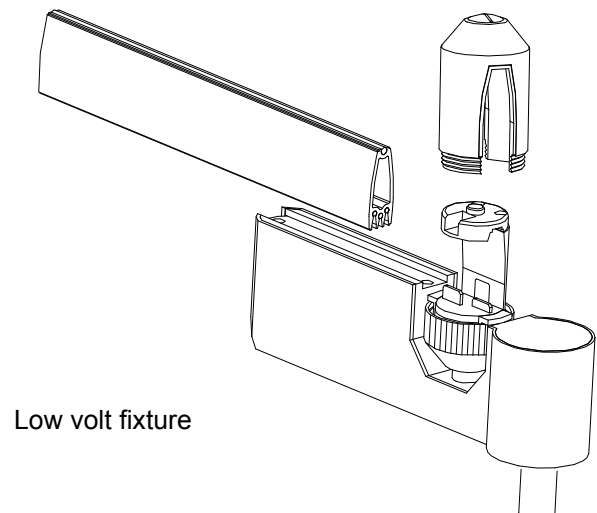
1. Loosen the cap ring counter clockwise, to free the top cover. Pull the cover straight off.
2. Note that the internal adapter is constructed in two pieces, with  $\frac{1}{4}$  inch of play between the two. Keep the adapter parts spread so that the metal contacts are recessed.
3. The open end of the adapter is now in the correct position to be pivoted on to the rail.
4. Plant the top end first and pivot the lower end in.
5. Once mounted squeeze the two adapter parts and visually check that the contacts seat in the rail grooves.
6. Replace cap ring and upper cover in the order they were removed.



**Note:** Installing the fixture from the reverse side engages the second circuit.

## Installing low volt fixtures

Low volt fixtures differ in that they have integral 12v electronic transformers. The adapter is nested inside the transformer housing. The cap ring is a larger diameter than the transformer to allow easy threading. Follow the steps outlined above.



**Installing quick connect low voltage fixtures**

Quick connect low voltage fixtures employ the same integral 12V electronic transformers as the low voltage fixtures mentioned above. They feature a quick connect nipple that allows “push and turn” attachment of a fixtures and pendants from the low volt Monorail series.

**Installing the quick connect:**

1. Insert the post of the quick connect adapter into the quick connect.
2. Thread the top half of the conical section until it seats with the quick connect.
3. Adjust fixture position, use caution not to loosen the conical section.

