

INSTALLATION INSTRUCTION
Vamp 202 - HID Track Luminaire
 WTK-HID202, WHK-HID202

WARNING

IMPORTANT: NEVER attempt any work without shutting off the electricity.

- Read all instructions before installing.
- System is intended for installation by a qualified electrician in accordance with the National Electrical Code and local regulations.
- Place the wall switch in the "OFF" position.
- Go to the main fuse box, or circuit breaker. Place the main power switch in the "OFF" position and unscrew the fuse(s) or switch "OFF" the circuit breaker switch(es) that control the power to the fixture or room that you are working on.

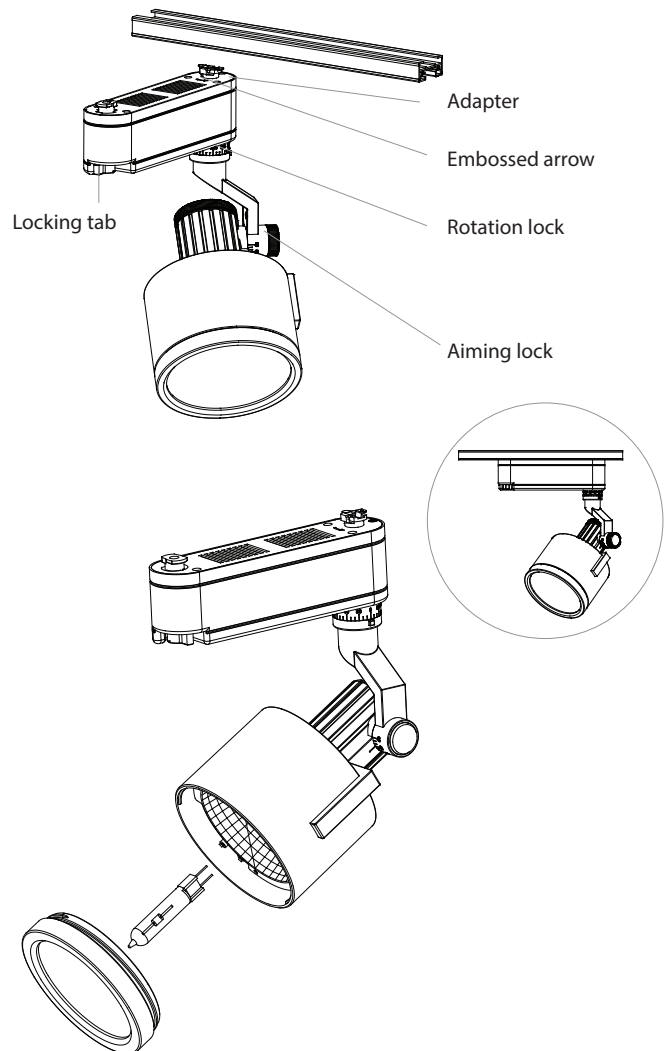
OVERVIEW:

Fixtures are designed for use on WAC Lighting's track systems.

LED TRACK FIXTURE	TRACK SYSTEMS
HTK-HID202 Series	H Track
LTK-HID202 Series	L Track
JTK-HID202 Series	J and J2 Track

INSTALLING ON TRACK:

1. Note the track has a groove running its length to indicate polarity.
2. Insert adapter into track slot and rotate it 90° the embossed arrow on the adapter should point to the grooved side of the track.
3. Push up and turn the locking tab into the lock position.
4. Removal is the reverse procedure. Tracks may be positioned anywhere along the track length.
5. Vertical and horizontal aiming have push lock buttons to secure settings.



INSTALLING ON TRACK:

1. Use appropriate protection when handling hot lamps.
2. Turn power off at main switch.
3. Turn lens cap counterclockwise to remove.
4. Grasp lamp with a clean cloth and pull straight out to remove.
5. For **HID202S-20E, HID202N-20E and HID202F-20E**
 (Use T4 metal halide G8.5 base lamps 20W only.)
 For **HID202S-39E, HID202N-39E and HID202F-39E**
 (Use T4 metal halide G8.5 base lamps 39W only.)
 For **HID202S-70E, HID202N-70E and HID202F-70E**
 (Use T4 metal halide G8.5 base lamps 70W only.)
6. Installation is the reverse procedure.

NOTE:

Metal halide lamps require several minutes of operation to reach full brightness. If power is interrupted lamps will take several minutes to re-strike. This is a normal characteristic of metal halide lamps.