

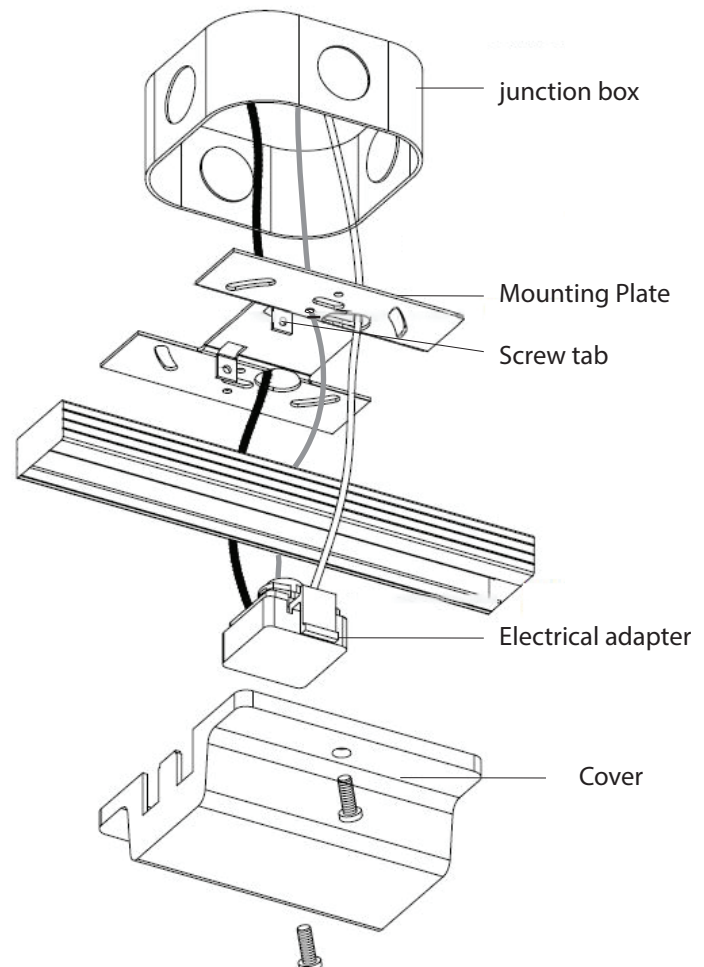
SAFETY INSTRUCTION

- Read all of these instructions before installing the track system.
- Turn off power at main switch before installing or modifying the system.
- Do not install within six inches of any curtain or combustible materials.
- Do not install less than 5 feet above a floor.
- Do not install in damp or wet locations.
- Do not install concealed, or extended through building walls.
- Do not attempt to energize anything other than a track light fixture.
- Do not connect a track to more than one branch circuit. Although track light systems may seem to operate acceptably, a dangerous overload of the neutral may occur and result in a risk of fire.
- Check with a qualified electrician before wiring.
- All installation shall be in accordance with NEC and all local codes
- Save these installation instructions and refer to them when additions or changes to the track configuration are made.

ELECTRICAL FEED FROM A JUNCTION BOX WITH FLOATING CANOPY

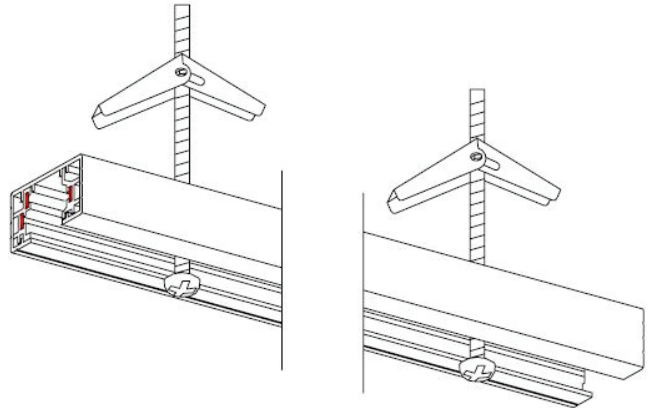
The floating canopy covers a junction box and brings power to the track anywhere along its length.

1. Make sure power is off.
2. Remove the electrical adapter from the mounting plate.
3. Secure mounting plate to the junction box using the slotted holes
4. Hold track to the ceiling and mark the position of mounting holes, set the position of the mounting plate. Screw tabs facing downward.
5. Mount track to ceiling following track mounting instructions (see track mounting section).
6. Secure track to the mounting plate. Tighten the screws on both sides.
7. Insert electrical adapter into track below junction box. Route wires along the side of track into the junction box.
8. Connect neutral (white) and hot (black) wires from the ceiling with their respective wires from the track adapter.
9. Connect ground wire from ceiling to green grounding wire from adapter.
10. Tuck excess wire back into the junction box.
11. Replace canopy cover and secure with screws.



MOUNTING TRACK

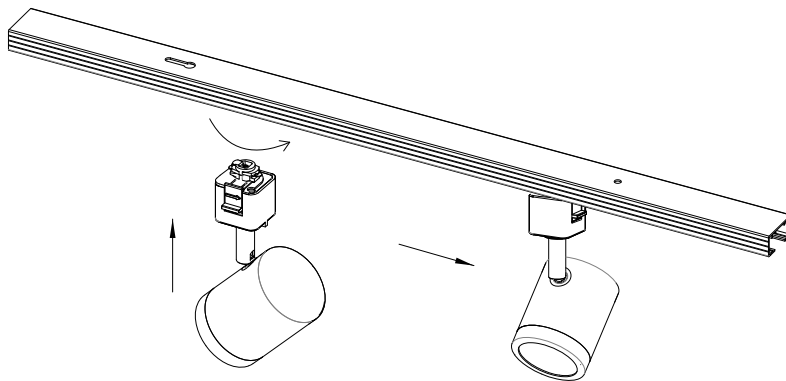
1. Raise track assembly to ceiling. Mark mounting hole locations. Track support points should be not more than 4' apart. Use a minimum of two support points
2. Drill ceiling holes suitable for the fasteners you intend to use. Toggle wings (supplied) require 1/2 inch holes.
3. If additional holes in track are needed, drill 5/32" holes through the centerline of track (locate holes at least 6" in from track ends).
4. Insert bolts through track, and into the toggle wings, tighten 2 or 3 turns.
5. Push toggle wings into ceiling holes. Do not fully tighten toggle bolts until all electrical connections are made.



FIXTURE INSTALLATION: (Fig.1)

1. The track has a groove running its length to indicate polarity and the track adapter locking tab has an arrow indicating locking direction.
2. Insert adapter into track slot. The arrow should be on the grooved side of the track.
3. Push up and rotate the adapter into the lock position.
4. Reverse procedure to remove. The fixture may be positioned anywhere along the track.

Fig.1



FIXTURE POSITIONING: (Fig.2)

Power on fixture, rotate the luminaire's body horizontally or vertically to aim it properly.

The fixture can rotate $\pm 90^\circ$ vertically and 350° horizontally.

Fig.2

