

INSTALLATION INSTRUCTION

Hemmingway - dwelLED™

BL-1527

WAC LIGHTING

Responsible Lighting®

WARNING

IMPORTANT: NEVER attempt any work without shutting off the electricity.

- Read all instructions before installing.
- System is intended for installation by a qualified electrician in accordance with the National Electrical Code and local regulations.
- Go to the main fuse box, or circuit breaker. Place the main power switch in the "OFF" position and unscrew the fuse(s) or switch "OFF" the circuit breaker switch(es) that control the power to the fixture or room that you are working on.
- Place the wall switch in the "OFF" position.

CAUTION

- All parts must be used as indicated in these instructions. Do not substitute any parts, leave parts out, or use any parts that are worn out or broken. Failure to follow this instruction could invalidate the ETL/CETL listing of this fixture. CAUTION When handling the fixture, do not apply pressure to the LEDs. Hold the fixture by the base only.

AVERTISSEMENT

IMPORTANT : Coupez l'électricité avant TOUTE manipulation.

- Lisez toutes les instructions avant d'installer.
- Système est destiné à être installé par un électricien qualifié en conformité avec le code national de l'électricité et les règlements locaux.
- Accédez au panneau central de disjoncteurs ou de fusibles de votre demeure et placez l'interrupteur principal en position d'arrêt (« OFF »).
- Placez l'interrupteur mural en position d'arrêt (« OFF »).

MISE EN GARDE

- Toutes les pièces doivent être utilisées tel qu'il est indiqué dans ces instructions. Ne remplacez pas les pièces, n'en laissez pas de côté et ne les utilisez pas si elles sont usées ou brisées. Le non-respect de ces instructions peut annuler l'homologation ETL/CETL du luminaire. MISE EN GARDE Ors de la manipulation de l'appareil, ne pas appliquer de pression à la LED, tenir l'appareil par la seule base.

ADVERTENCIA

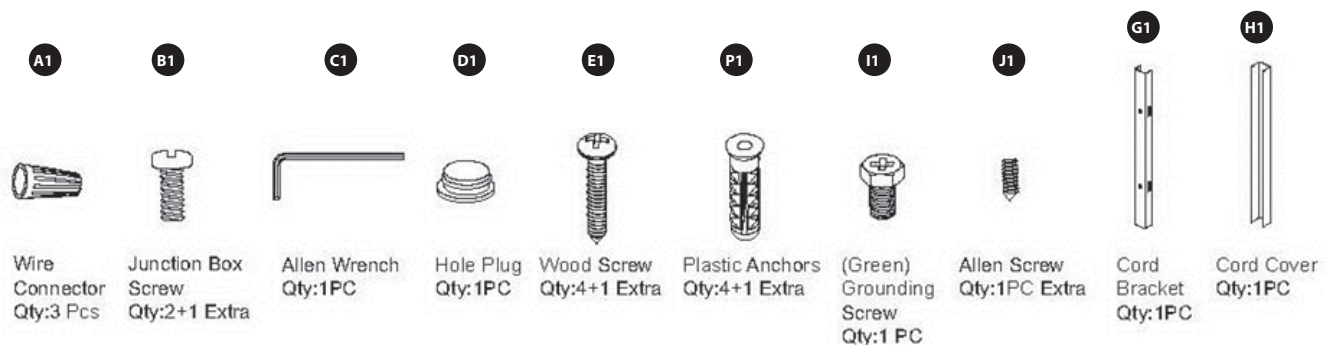
IMPORTANTE: NUNCA intente hacer trabajos sin desconectar el suministro eléctrico.

- Lea y comprenda todas las instrucciones e ilustraciones por completo antes de proceder con el ensamblaje e instalación de esta lámpara.
- Sistema está diseñado para ser instalado por un electricista calificado, de acuerdo con el código eléctrico nacional y las normas locales.
- Diríjase a la caja de fusibles o a la caja del interruptor de circuito principal en su hogar. Coloque el interruptor de alimentación principal en la posición "OFF" (APAGADO).
- Coloque el interruptor de la pared en la posición "OFF" (APAGADO).

PRECAUCIÓN

- Todas las piezas deben usarse como lo indican estas instrucciones. No reemplace las piezas, no omita piezas durante la instalación ni utilice piezas gastadas o rotas. El incumplimiento de esta indicación podría invalidar la calificación ETL/CETL esta lámpara. PRECAUCIÓN Al manipular el aparato, no aplique presión a los LED, mantenga el aparato en la base sólo.

HARDWARE



WAC Lighting

www.waclighting.com

Phone (800) 526.2588 • Fax (800) 526.2585

Headquarters/Eastern Distribution Center

44 Harbor Park Drive • Port Washington, NY 11050

Phone (516) 515.5000 • Fax (516) 515.5050

Western Distribution Center

1750 Archibald Ave • Ontario, CA 91761

Phone (800) 526.2588 • Fax (800) 526.2585

INSTALLATION INSTRUCTION
Hemingway - dwelLED™
BL-1527

WAC LIGHTING
 Responsible Lighting®

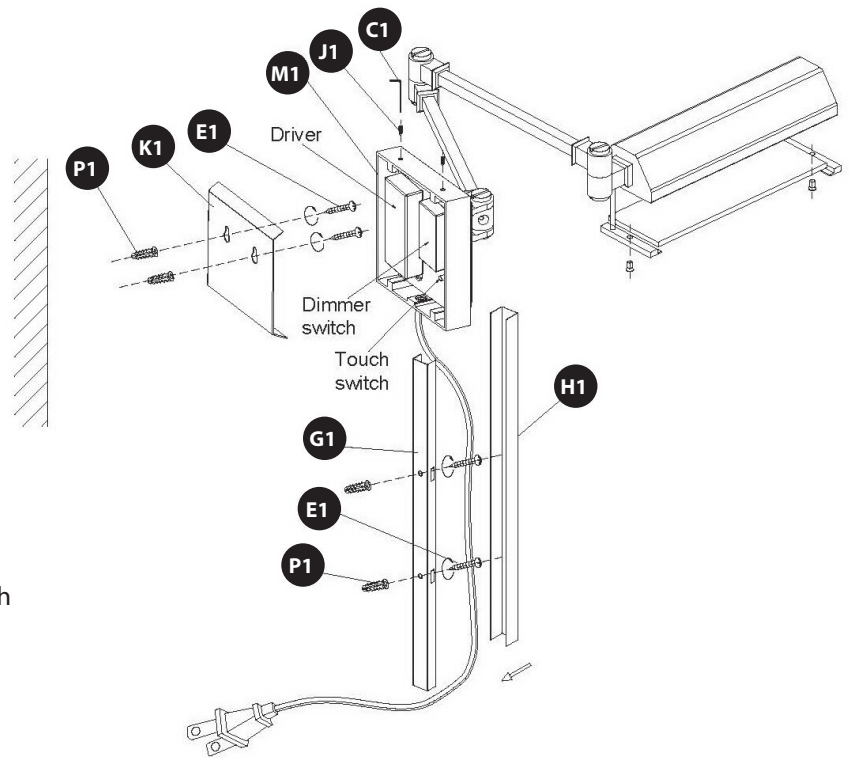
PREPARAION

1. Carefully unpack your new fixture, lay out all the parts on a clear area. Be careful not to lose any small parts necessary for installation.

2. Remove the mounting screws (K1) from the fixture.

PORTABLE INSTALLATION (Fig. 1)

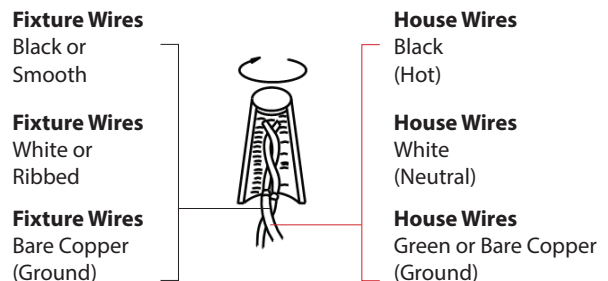
3. Drill holes in the wall aligned with the key-hole location in the mounting plate (K1).
4. Insert the plastic anchors (P1) into holes. Insert wood screws (E1) into anchors leaving enough length to hang the mounting plate (K1)
5. Hang mounting plate (K1) and tighten screws until mounting plate (K1) is secured to the wall.
6. Place the fixture onto the mounting plate (K1) and secure it with the allen screws (J1) using the allen wrench (C1) provided.
7. Install optional cord covers if desired. Drill holes in the wall aligned with the holes locations on the cord cover bracket (G1). Insert plastic anchors (P1) into wall. Secure bracket to the wall with wood screws (E1).
8. Place the cord into the bracket (G1). Snap the cord cover (H1) over the bracket.
9. Plug into outlet.
10. This lamp features has a touch switch. Press and release to turn on/off. When fixture is on, press and hold the switch to cycle from dim to bright and release when desired brightness is reached.



IMPORTANT SAFETY INSTRUCTIONS

This portable lamp has a polarized plug (one blade is wider than the other) as a safety feature to reduce the risk of electric shock. This plug will fit a polarized outlet only one way. If the plug does not fit fully in the outlet, reverse the plug. If it still does not fit, contact a qualified electrician. Never use with an extension cord unless the plug can be fully inserted. Do not change or alter the plug.

FIG.4



INSTALLATION INSTRUCTION
Hemmingway - dwelLED™
BL-1527

WAC LIGHTING
Responsible Lighting®

PERMANENT INSTRUCTIONS (Fig. 3)

1. Shut off power at the circuit breaker. If necessary, remove old fixture, including mounting hardware.

2. Cut power cord to 7" length (from center of backplate). Pull cord through from grommet hole in order to connect to main power. (CAUTION: FIXTURE CANNOT REVERT TO PLUG-IN VERSION ONCE THE CORD AND PLUG ARE CUT OFF) Remove grommet from lamp base and insert hole plug (D1) provided to cover hole.

3. Unscrew the allen screw (J1) using allen wrench (C1) provided. Remove the back plate (K1) from lamp base. Unscrew two screws (L1) and remove metal plate (N1) from lamp base. Then replace two screws (L1) over power cord and bare copper as strain relief.

4. Attach the mounting plate (K1) onto the junction box using two junction box screws (B1). Make sure the mounting plate (K1) in horizontal position. The side of mounting plate (K1) marked "GND" must face out.

5. Connect the electrical wires as shown in Fig. 2, making sure that all wire connectors (A1) are secured. If your outlet box has a ground wire (green or bare copper), connect the fixture's ground wire to it. Otherwise, connect the fixture's ground wire directly to the mounting plate (K1) using the green screw (I1) provided. After wires are connected, tuck them carefully inside the junction box.

6. Place the fixture over the mounting plate (K1) and secure it using allen screws (J1) and allen wrench (C1) provided.

7. This lamp features has a touch switch on the lamp base (M1). Press and release to turn on/off. When fixture is on, press and hold the switch to cycle from dim to bright and release when desired brightness is reached.

