

INSTRUCTIONS:

Fluorescent Bar Lights

Models Series:

BA-BF-08 BA-BF-13 BA-BF-21 BA-BF-28 BA-BF-35

CAUTION:

- Read all instructions before installing.
- Always turn off power at fuse box prior to installation to prevent electrical shock.
- For display wall or under cabinet only. Not intended for ceiling use.
- For installation by a qualified electrician.
- System is intended for installation in accordance with National Electric Code, and local regulations. Consult with local inspector to assure compliance.
- Keep away from combustible materials such as plastic or paper products.
- Do not touch cover when light is on. Do not operate with missing diffuser lens.
- All wires must be contained.

Wiring and installation:

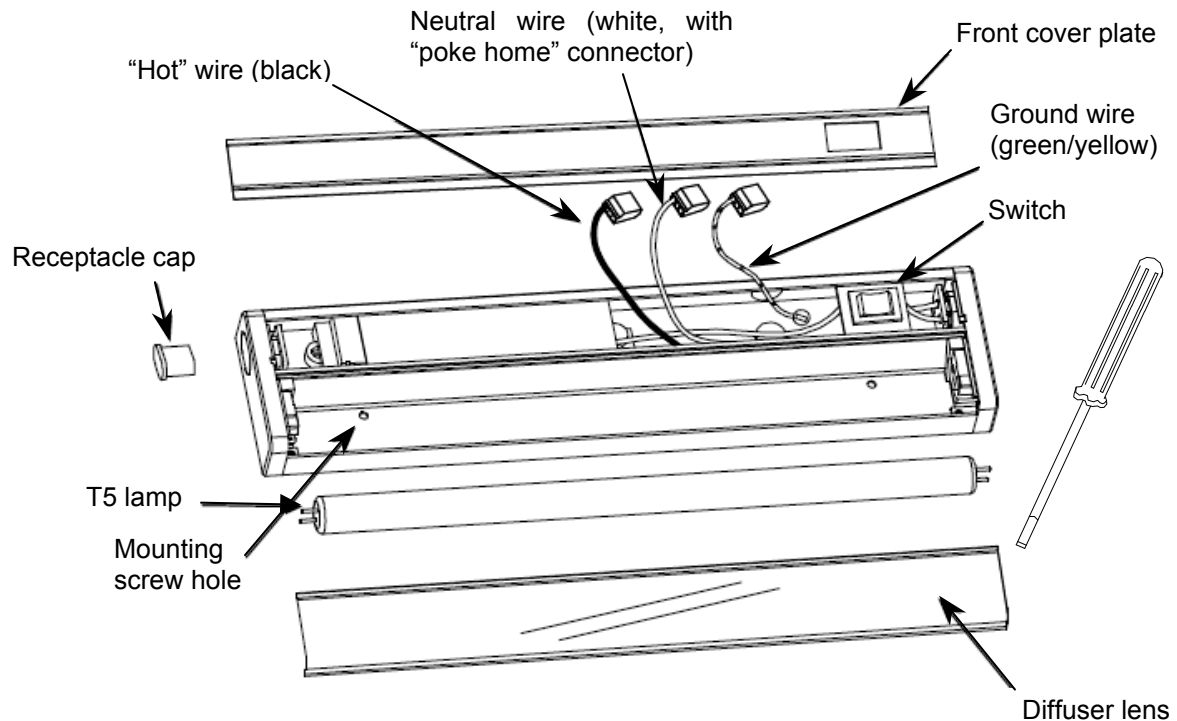
Mounting:

1. Using a small screwdriver, gently pry the diffuser lens up at one end, and remove the diffuser.
2. Rotate the lamp 90 degrees and remove. Remove all packing material.
3. Position the fixture under the cabinet and mark the holes with a pencil.
4. Remove the fixture, make a suitable pilot hole, then replace fixture and mount with screws supplied.
5. Replace lamp by inserting and rotating 90°
6. To re-install the diffuser, start on one side. Seat the back edge under the lip, press the front edge down hard, until it clicks in place. Slide fingers across the diffuser to press down the remaining length.

Connecting:

Pry open the front cover plate.

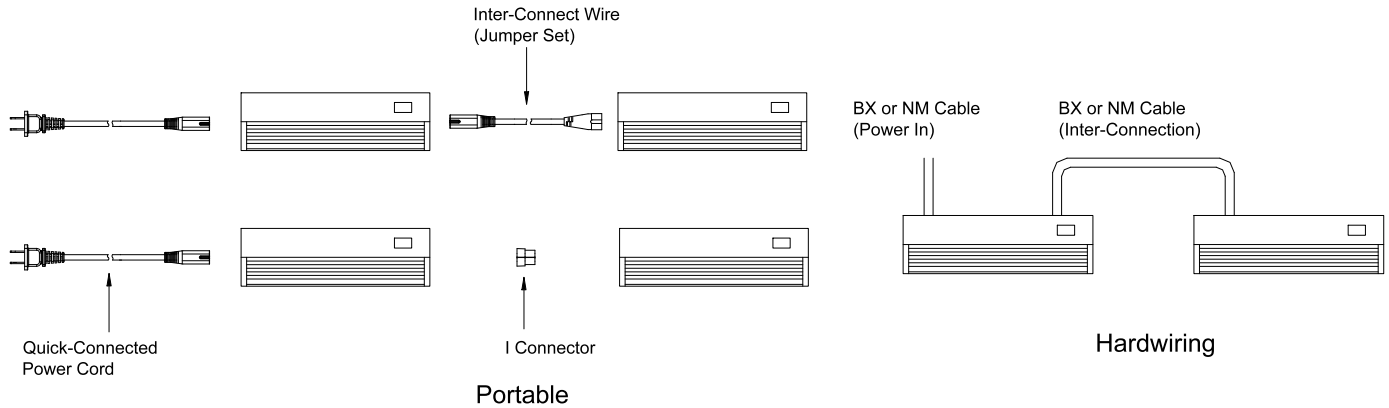
1. Open a convenient knock out hole in the body of the fixture, and install the Romex® /BX connector supplied with the fixture. Allow approx 1 1/2" of wire to enter the fixture body.
2. Trim 1/4" of insulation from the building wires and connect by pushing into one of the available holes in the "poke home" connector. Connect building wires to matching colored black, and white fixture wires.
3. Connect the ground wire (green or bare wire) to the green/yellow fixture wire.
4. Tuck wires connections neatly back into the compartment.
5. Replace the cover plate.



Wiring of multiple units:

The total wattage of all connected fixtures should not exceed 700watts. Not more than 6 fixtures may be joined together.

Note: Hard-wired units do not link together through surface wiring. They must use wall wiring through the available knock-outs (see diagram below). A BX & NM clamp adapter is included.



End to End Connection (BA-BF-I I-connector included) :

The "I" connector allows two fixtures to butted end to end.

1. Pry out the plastic covers concealing the female connection ports at the end of the fixtures.
2. The "I" connector will only fit in the correct orientation.
3. Insert one end of the "I" connector into the fixture. Slide the next fixture to abut the original.
4. Secure position by mounting fixtures to the surface.

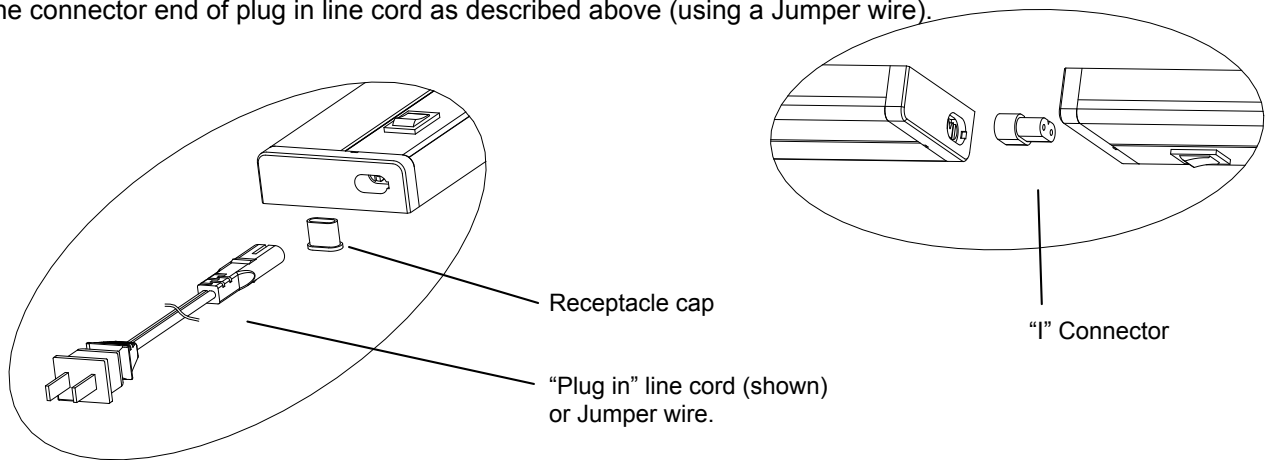
Interconnecting Fixtures with Jumper Wire (BA-BF-IC Sold Separately) :

A surface mount jumper wire allows multiple units to be linked through surface wiring (see diagram below).

1. Pry out the plastic covers concealing the female connection ports at the end of the fixtures.
2. Jumper wire ends will only fit in the correct orientation.
3. Insert the ends of the connectors into each fixture.
4. Jumper wires use metal strain relief cover brackets. Slide the cover bracket over the connector. Position bracket and fixture holes and secure with screw provided.
5. Wrap excess wire with nylon wire ties.

Cord and Plug Use (BA-BF-PC Sold Separately) :

Install the connector end of plug in line cord as described above (using a Jumper wire).



Lamp Matrix:

Fixture is supplied with lamp. Replacement & other color temperature lamps available from other Mfg's.

Model No.	Number of lamps	Watts per lamp	Lamp number
BA-BF-08	One	8w	F8T5
BA-BF-13	One	13w	F13T5
BA-BF-21	One	21w	F21T5
BA-BF-28	One	28W	F28T5
BA-BF-35	One	35W	F35T5