

# INSTALLATION INSTRUCTION

## Concrete Pour Kit

5030-PIP-PVC

# WAC LIGHTING

Responsible Lighting®

### SAFETY INSTRUCTION

IMPORTANT: NEVER attempt any work without shutting off the electricity.

- Read all instructions before installing.
- System is intended for installation by a qualified electrician in accordance with the National Electrical Code and local regulations.
- Place the wall switch in the "OFF" position.
- Go to the main fuse box, or circuit breaker. Unscrew the fuse(s) or switch "OFF" the circuit breaker switch(es) that control the power to the space that you are working on.

### CAUTION:

All parts must be used as indicated in these instructions. Do not substitute any parts, leave parts out, or use any parts that are worn out or broken. Failure to follow this instruction could invalidate the UL listing of this fixture.

### AVERTISSEMENT

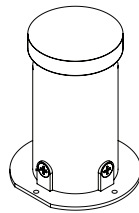
**IMPORTANT : COUPEZ L'ÉLECTRICITÉ AVANT TOUTE MANIPULATION.**

- Lisez toutes les instructions avant d'installer.
- Système est destiné à être installé par un électricien qualifié en conformité avec le code national de l'électricité et les règlements locaux.
- Placez l'interrupteur mural en position d'arrêt (« OFF »).
- Accédez au panneau central de disjoncteurs ou de fusibles de votre demeure et placez l'interrupteur principal en position d'arrêt (« OFF »).

### MISE EN GARDE

Toutes les pièces doivent être utilisées tel qu'il est indiqué dans ces instructions. Ne remplacez pas les pièces, n'en laissez pas de côté et ne les utilisez pas si elles sont usées ou brisées. Le non-respect de ces instructions peut annuler l'homologation UL du luminaire.

**THIS INSTRUCTIONS APPLY TO THE MODELS BELOW:**



5030-PIP-PVC

waclighting.com

Phone (800) 526.2588

Fax (800) 526.2585

Headquarters/Eastern Distribution Center

44 Harbor Park Drive

Port Washington, NY 11050

Central Distribution Center

1600 Distribution Ct

Lithia Springs, GA 30122

Western Distribution Center

1750 Archibald Avenue

Ontario, CA 91760

# INSTALLATION INSTRUCTION

## Concrete Pour Kit

5030-PIP-PVC

# WAC LIGHTING

Responsible Lighting®

### CONCRETE POUR INSTALLATION

1. Turn the main power off.
2. Install wiring and conduit (use 1/2" NPT) with Concrete Pour Canister at desired position, plug all un-used holes (Fig. 1) Secure the canister to the bottom of the application ground by using screws.

Note: For proper alignment, make sure the flat edge of the canister is parallel to the wall. (Fig. 2)

3. Insert Plastic Cap into Concrete Pour Canister (Fig. 1)
4. Pour concrete until it's flushed with the Plastic Cap. (Fig. 3)  
**Note: NO CONCRETE ENTERS THE BOX. USE SAND OR GRAVEL FOR PROPER DRAINAGE.**
5. After concrete has cured, crack concrete and remove Plastic Cap using a corkscrew or similar tool. (Fig. 4)
6. Connect fixture leads to box wiring using supplied outdoor rated wire nuts. Make sure all power is off while wiring LED fixture.  
**Note: For model 5032-30, apply appropriate 120V grounding to the fixture.**
7. Apply a smear of plumber's silicone to O-rings. Insert LED fixture into flange with a twisting motion. Make sure the trim is flushed with the top of the poured concrete.
8. To match different height requirements, use extenders and cover plates. (Fig. 5)

Fig.1

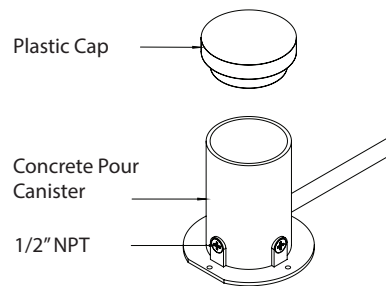


Fig.2

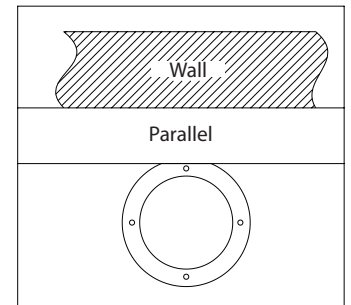


Fig.3

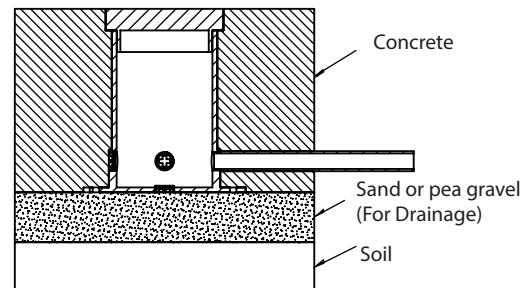


Fig.4

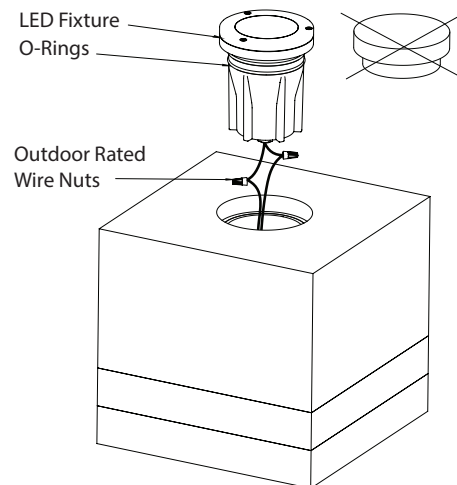
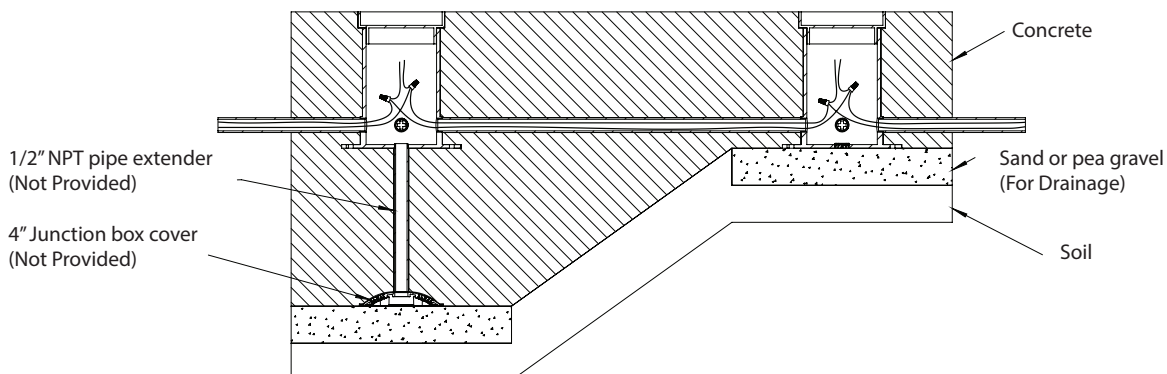


Fig.5



waclighting.com  
Phone (800) 526.2588  
Fax (800) 526.2585

Headquarters/Eastern Distribution Center  
44 Harbor Park Drive  
Port Washington, NY 11050

Central Distribution Center  
1600 Distribution Ct  
Lithia Springs, GA 30122

Western Distribution Center  
1750 Archibald Avenue  
Ontario, CA 91760