

INSTALLATION INSTRUCTION
Silo X20 LED Track Luminaires
H/L/J-2020

WARNING

IMPORTANT: NEVER attempt any work without shutting off the electricity.

- Read all instructions before installing.
- System is intended for installation by a qualified electrician in accordance with the National Electrical Code and local regulations.
- Go to the main fuse box, or circuit breaker. Place the main power switch in the "OFF" position and unscrew the fuse(s) or switch "OFF" the circuit breaker switch(es) that control the power to the fixture or room that you are working on.
- Place the wall switch in the "OFF" position.

AVERTISSEMENT

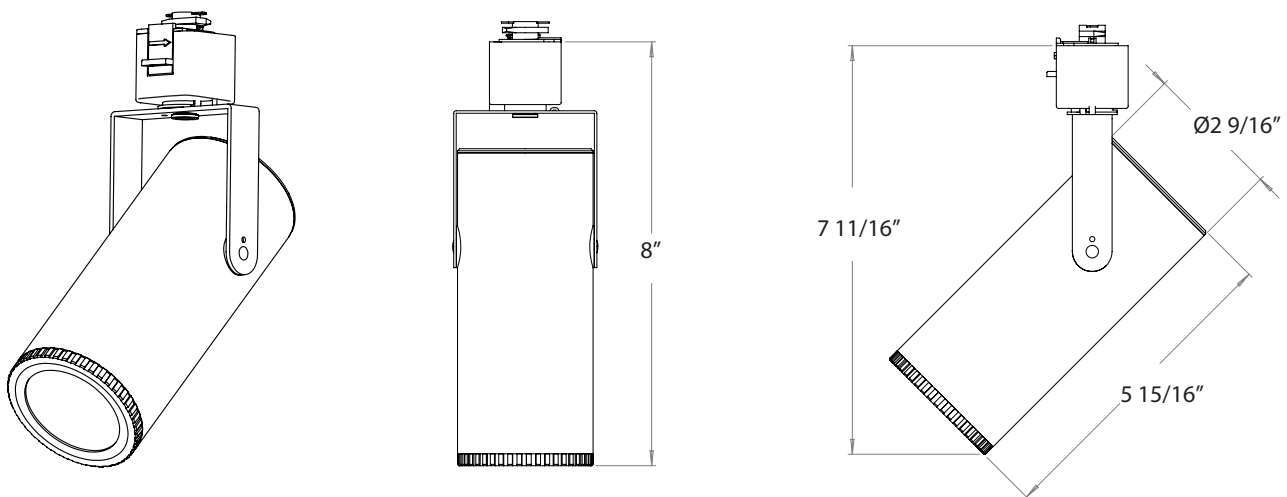
IMPORTANT : Coupez l'électricité avant TOUTE manipulation.

- Lisez toutes les instructions avant d'installer.
- Système est destiné à être installé par un électricien qualifié en conformité avec le code national de l'électricité et les règlements locaux.
- Accédez au panneau central de disjoncteurs ou de fusibles de votre demeure et placez l'interrupteur principal en position d'arrêt (« OFF »).
- Placez l'interrupteur mural en position d'arrêt (« OFF »).

Overview:

Fixtures are designed for use on WAC Lighting's track systems.
Dimmable with compatible electronic low voltage (ELV) dimmer.

LED TRACK LUMINAIRE	TRACK SYSTEM
H-2020 Series	120V HTrack
L-2020 Series	120V L Track
J-2020 Series	120V J or J2 Track



Note: All parts must be used as indicated in these instructions. Do not substitute any parts, leave parts out, or use any parts that are worn out or broken. Failure to follow this instruction could invalidate the UL/CUL listing of this fixture.

waclighting.com
Phone (800) 526.2588
Fax (800) 526.2585

Headquarters/Eastern Distribution Center
44 Harbor Park Drive
Port Washington, NY 11050

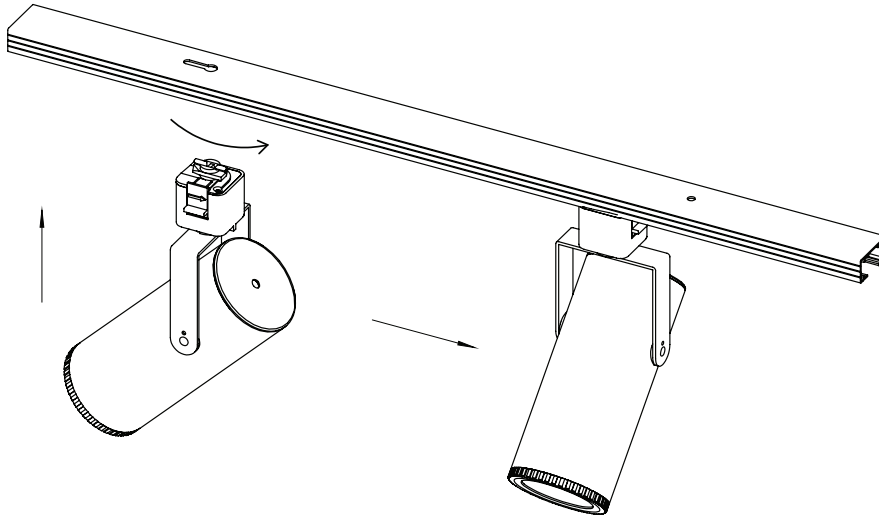
Central Distribution Center
1600 Distribution Ct
Lithia Springs, GA 30122

Western Distribution Center
1750 Archibald Avenue
Ontario, CA 91760

Fixture installation for H/ L/ J Track: (Fig.1)

1. The track has a groove running its length to indicate polarity and the locking tab has an arrow indicating locking direction.
2. Insert adapter into track slot. The arrow should point away from the grooved side of the track.
3. Push up and rotate the adapter into the lock position.
4. Reverse procedure to remove. The fixture may be positioned anywhere along the track.

Fig.1

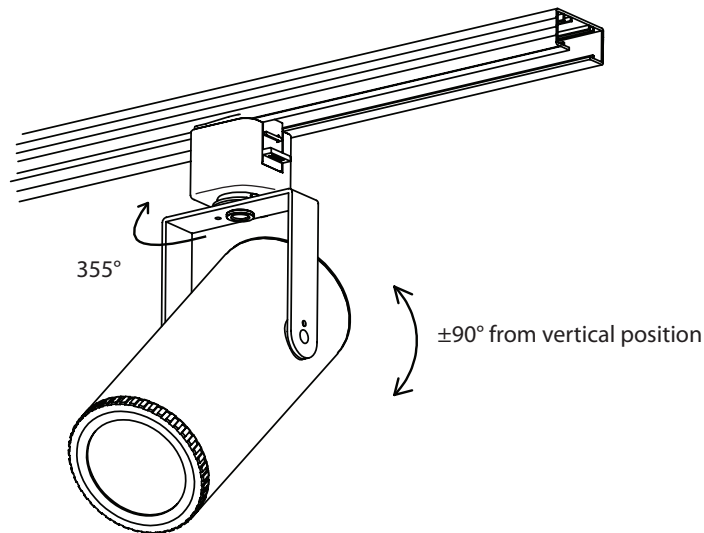


FIXTURE POSITIONING: (Fig.2)

Power on fixture, rotate the luminaire's body horizontally or vertically to aim it properly.

The fixture can rotate $\pm 90^\circ$ vertically and 355° horizontally.

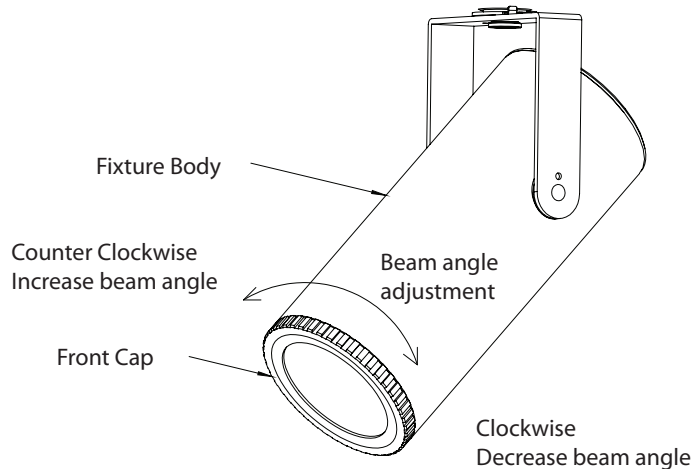
Fig.2



BEAM ANGLE ADJUSTMENT : (Fig.3)

1. Hold fixture body with one hand and front cap with another.
2. Grip the front cap with two fingers and rotate it gently clockwise or counter clockwise until desired beam angle is achieved.
3. Cease rotation when you feel resistance as beam angle is reaching its minimum or maximum

Fig.3



ACCESSORIES:

1. With fixture powered off and front cap facing toward you, rotate the front cap clockwise just passed the position you feel a "click" (**Fig. 4**)
2. Gently, while holding fixture body secure, rock front cap assembly back and forth while pulling it away from fixture body to remove front cap assembly (**Fig. 5**)

Fig.4

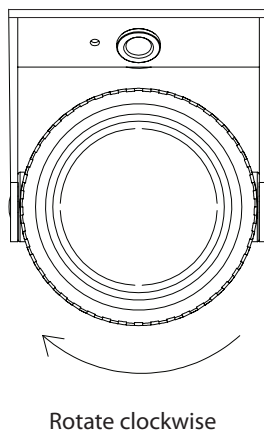
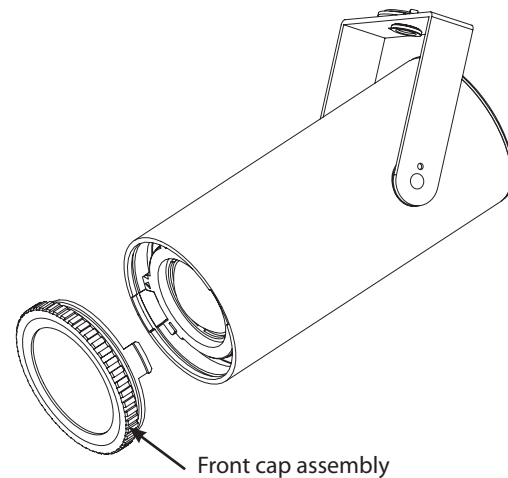


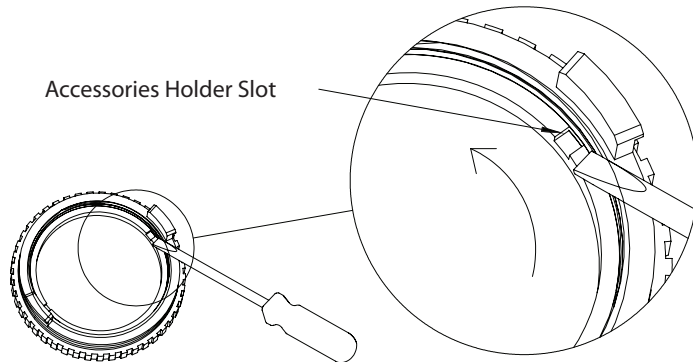
Fig.5



ACCESSORIES:

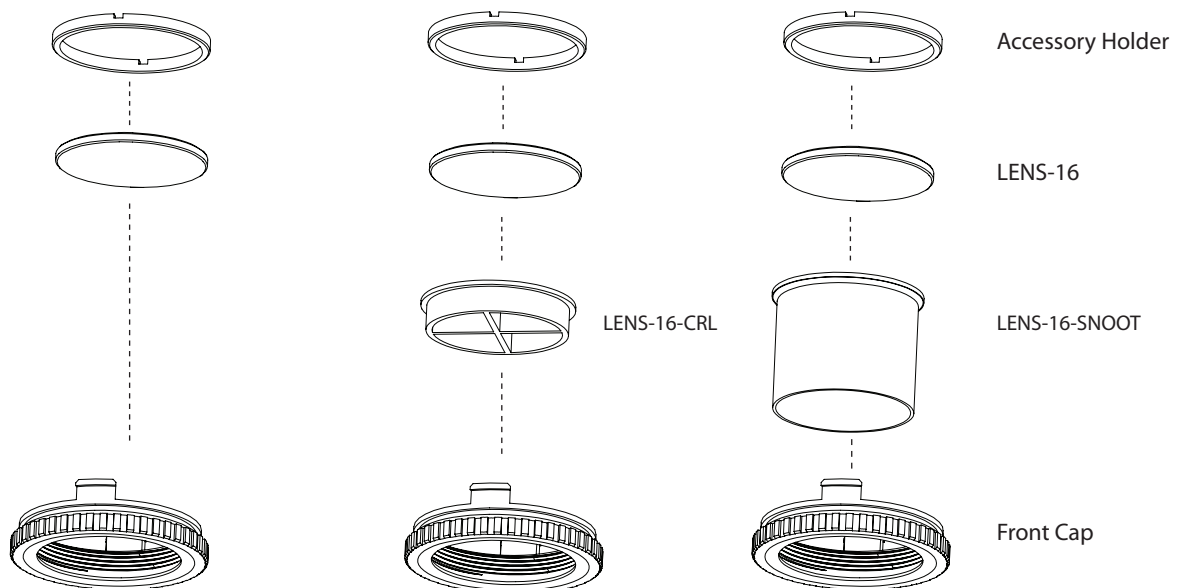
3. Use a flat-tip-screwdriver to remove the accessory holder by rotating it counter clockwise. **(Fig. 6)**

Fig.6



4. Fixture accommodates one lens and one glare control accessory. Refer to spec sheet for list of compatible accessories. Install accessories between the front cap and accessory holder. Tighten accessory holder after accessories are installed. **(Fig.7)**

Fig.7



5. Ensure internal fixture lens is still at the top position, and lens holder slots align with fixture body slots.
Align the front cap tabs with the fixture body slots and insert the front cap assembly back into the fixture.
Once fully inserted, rotate the front cap assembly counter clockwise passed the “click” and to the desired beam angle. (**Fig. 8**)

Fig.8

