

INSTRUCTIONS: Low Voltage LED Track Luminaires

Model: LHT-163LED HHT-163LED JHT-163LED

Caution:

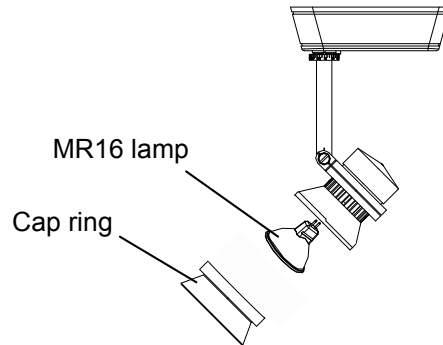
Read all instructions before installing.
Switch off power before installing or re-lamping.
Do not attempt to energize anything other than a track light fixture.
All installation shall be in accordance with NEC and all local codes.

Overview:

Fixtures are designed for use on on WAC "L" , "H" , "J" series track.
They may also be used on other manufacturer's brand of track
(consult factory for compatibility).

Lamping:

1. Use dimmable MR16 LED lamp (included)
2. Remove the cap ring by twisting counter-clockwise.
3. Insert the MR16 lamp by aligning the pins with the holes in the ceramic socket, and pushing straight in.
4. Re-install the cap ring.

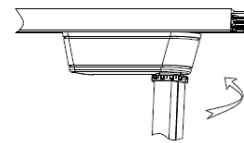


Installing on Track:

1. Note the track has a groove running its length to indicate polarity.
2. Note the slant of the locking tab.
3. Insert adapter into track slot and rotate adaptor 90° so that the low side of the locking tab faces the grooved side of the track.
4. Make sure the locking tab seats in the track slot.
5. Removal is the reverse procedure. Track heads may be positioned anywhere along the track length.
6. Not suitable for use on wall mounted track.



Step 2



Step 3

Aiming:

1. Adjust head tation using the aimings scale below transformer.
2. Adjust vertical aiming position by tilting head to desired angle.
3. Lock fixture head into position by tightening the two aiming screws.

